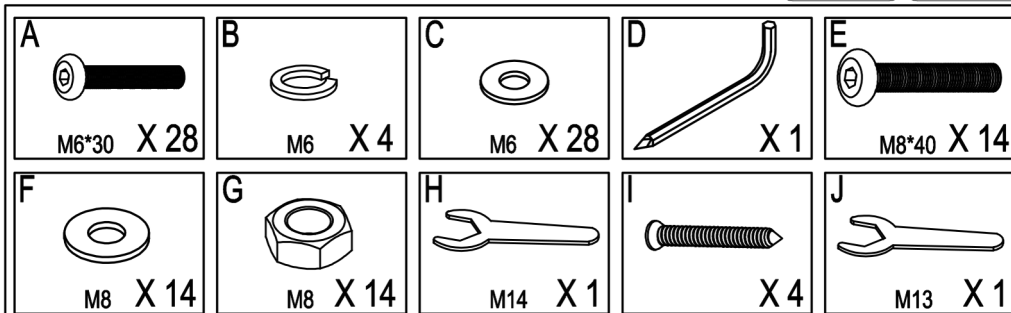
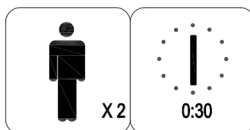
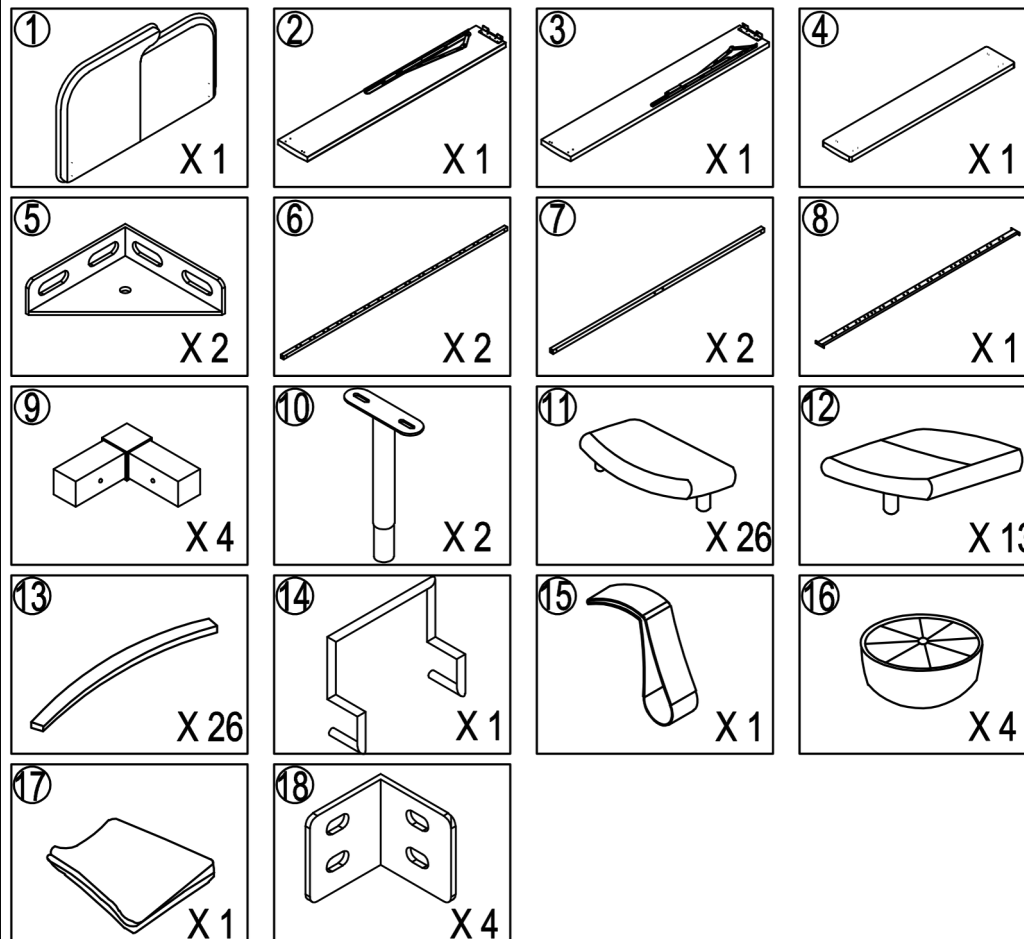
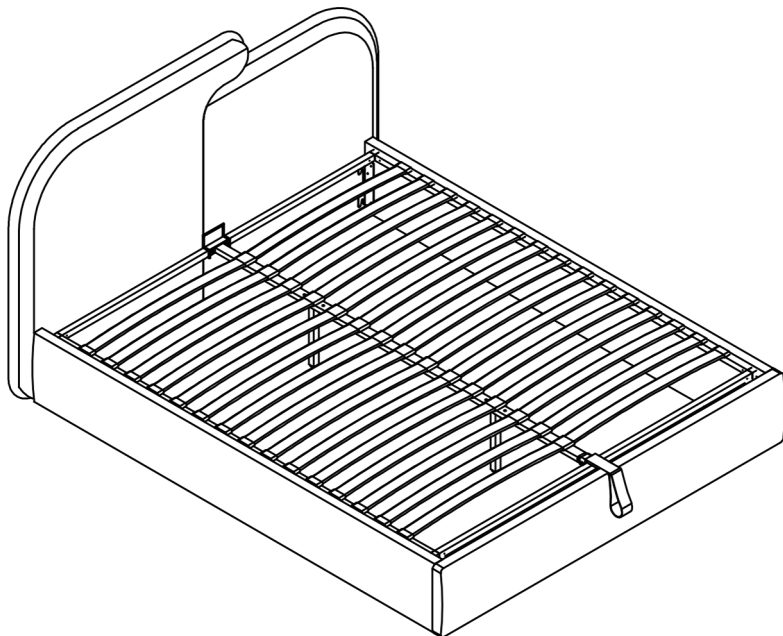
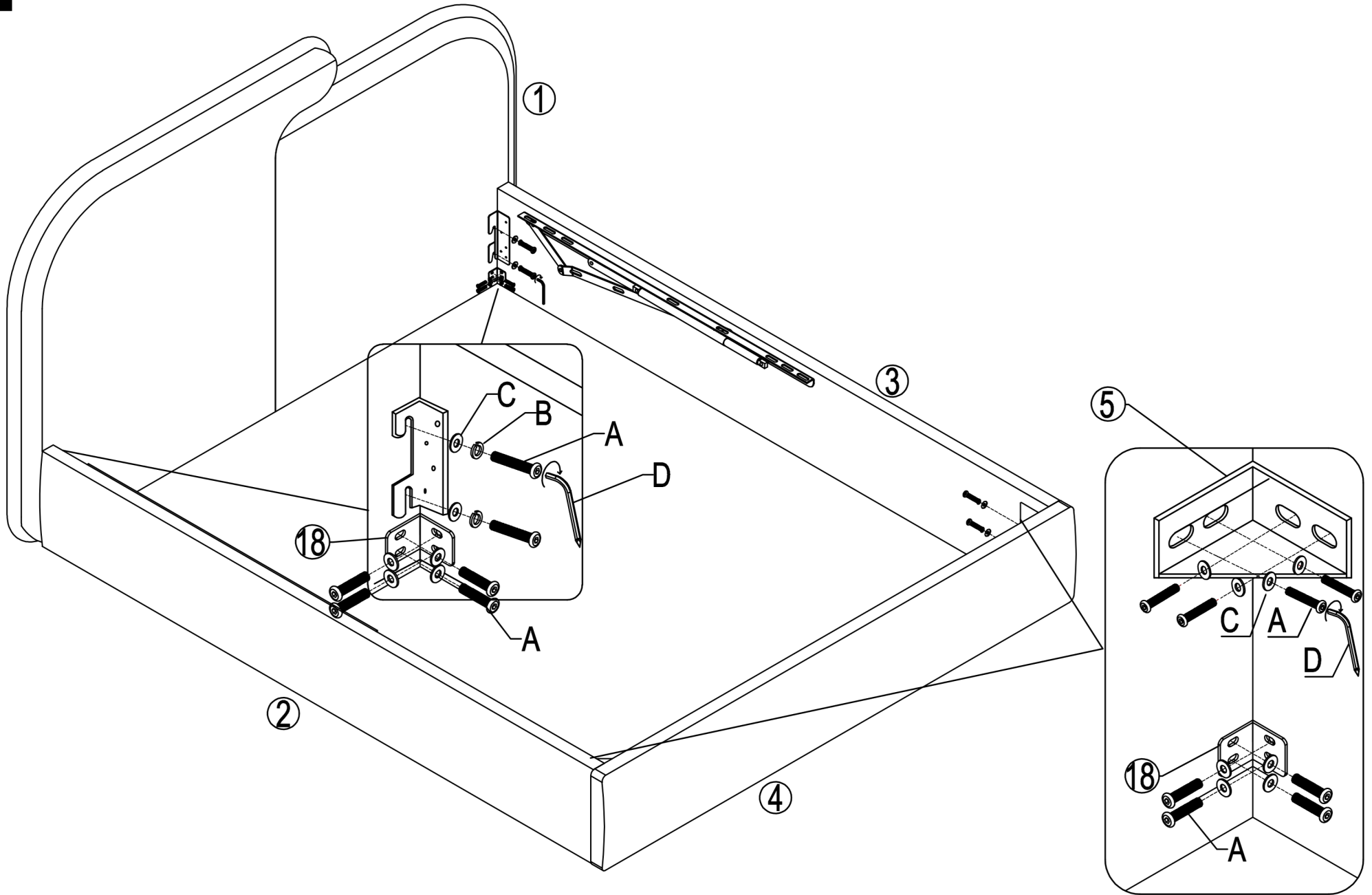


# sofaforma ASSEMBLY INSTRUCTIONS

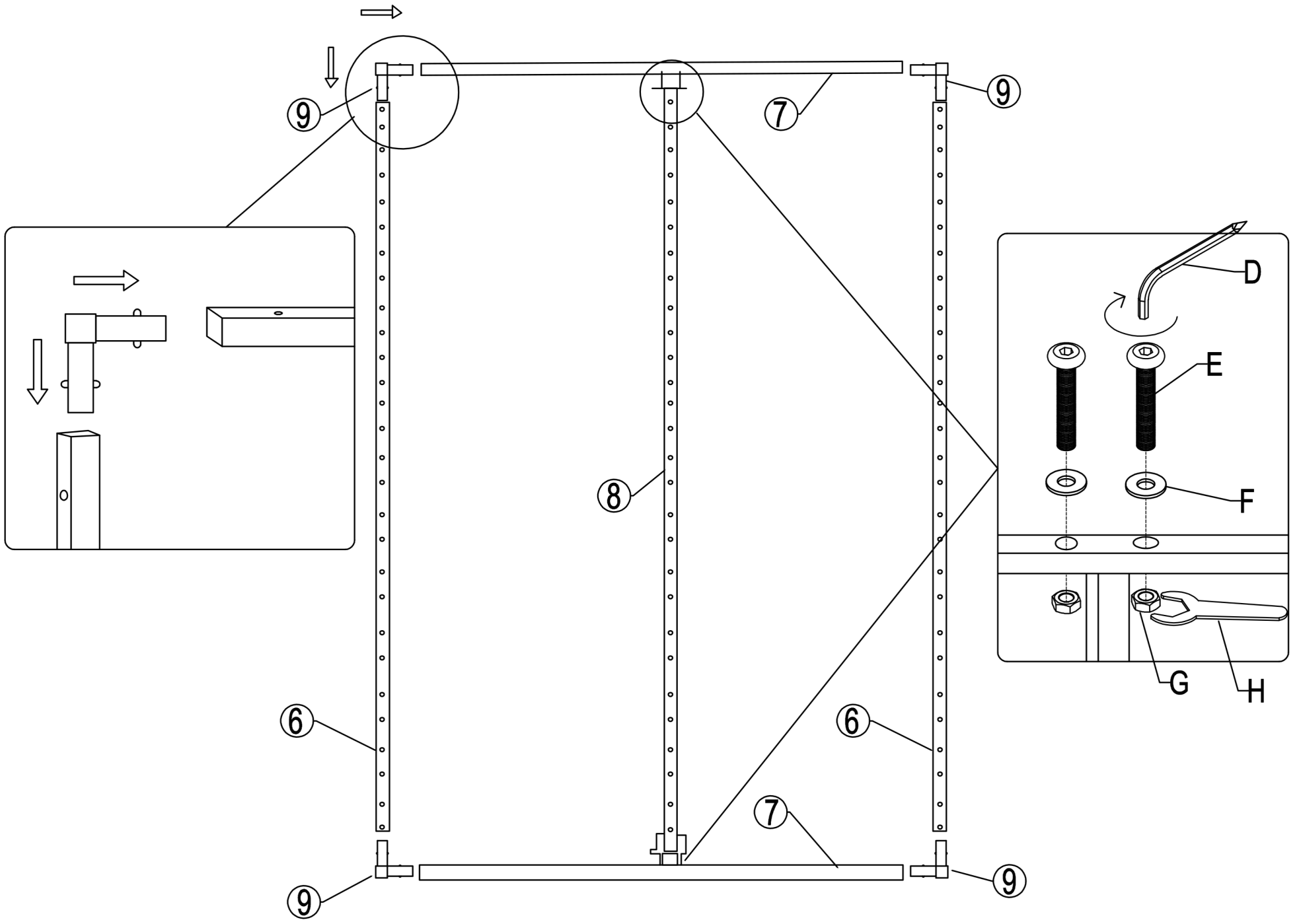
MODEL#: WILBUR

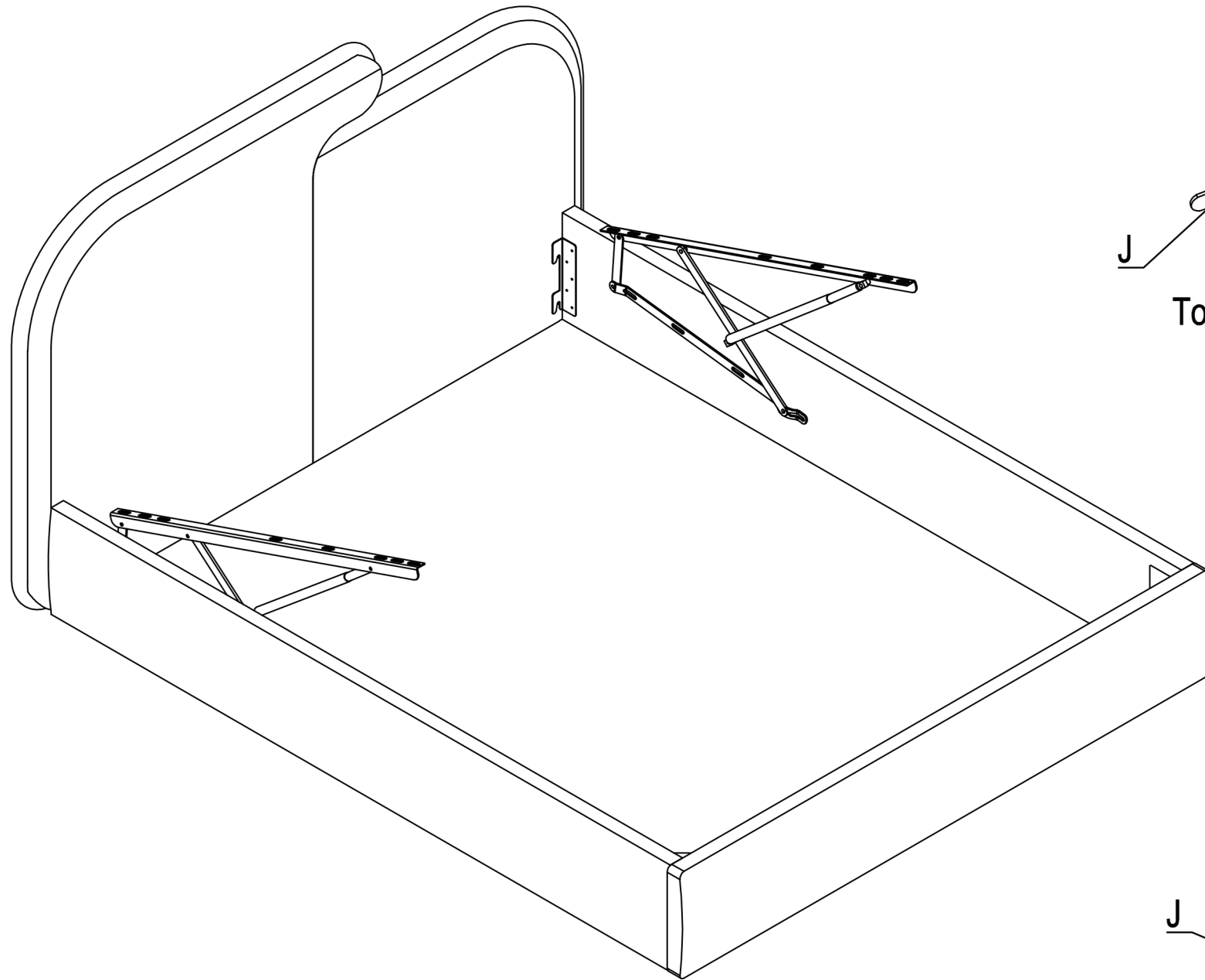


1

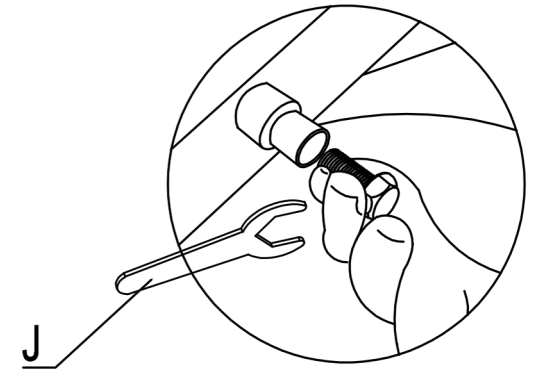


2

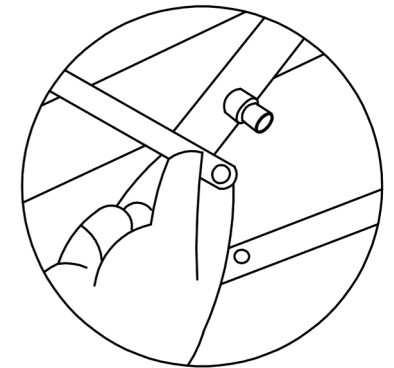




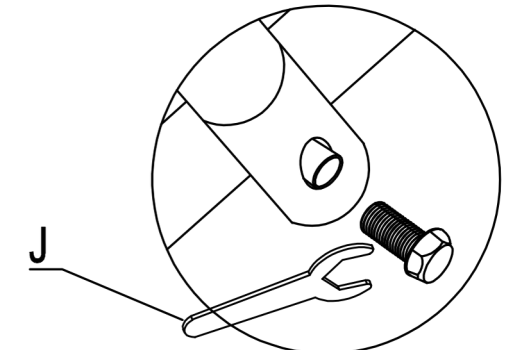
Torsion Bolt



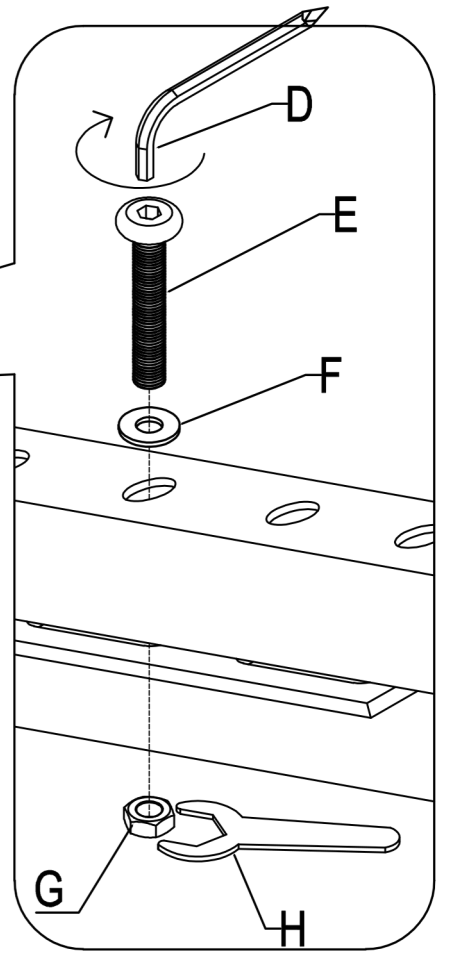
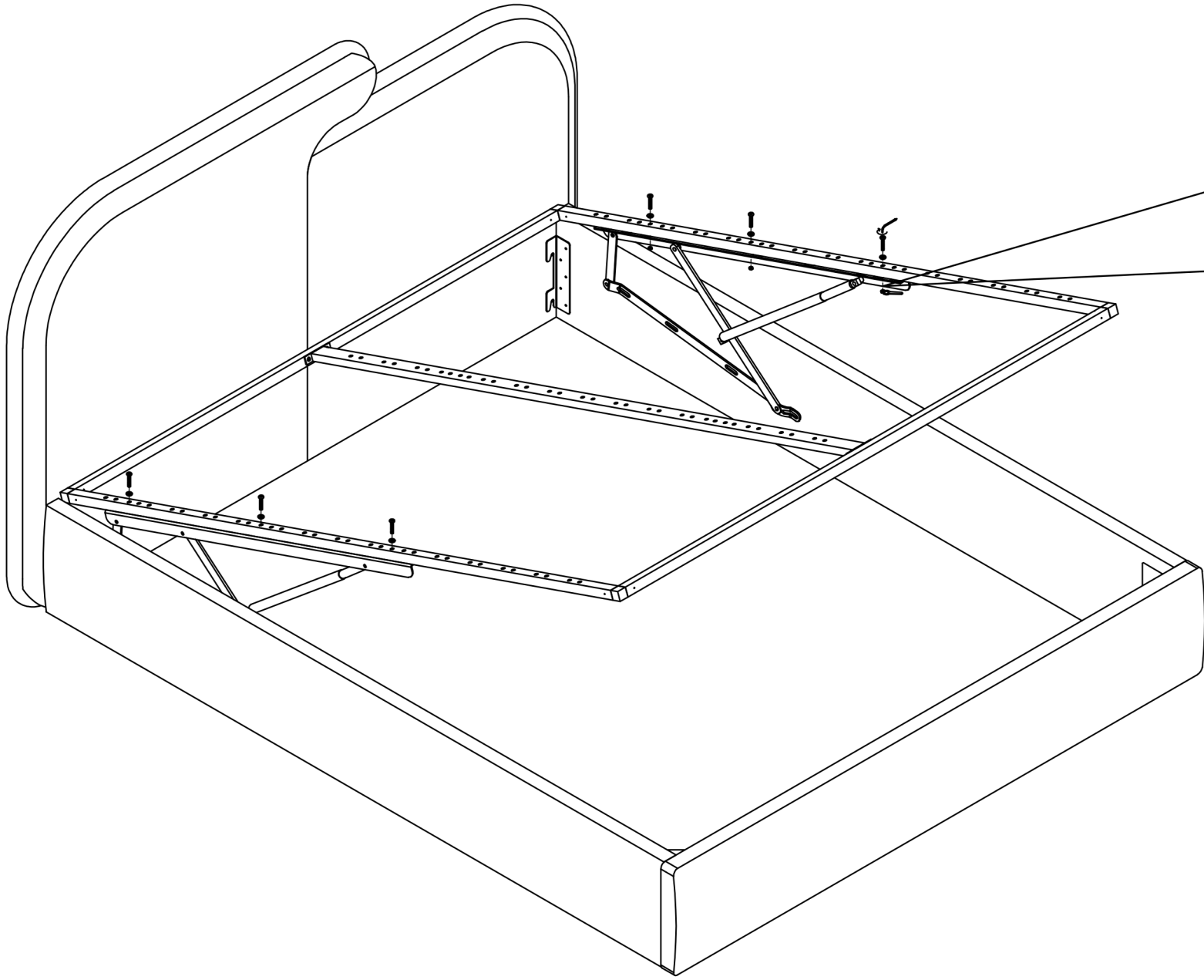
To place the pneumatic rods



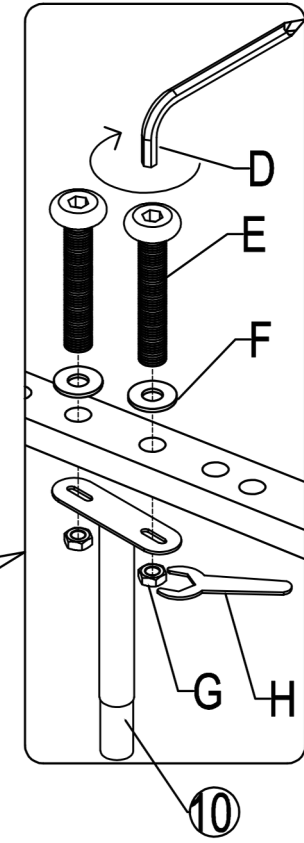
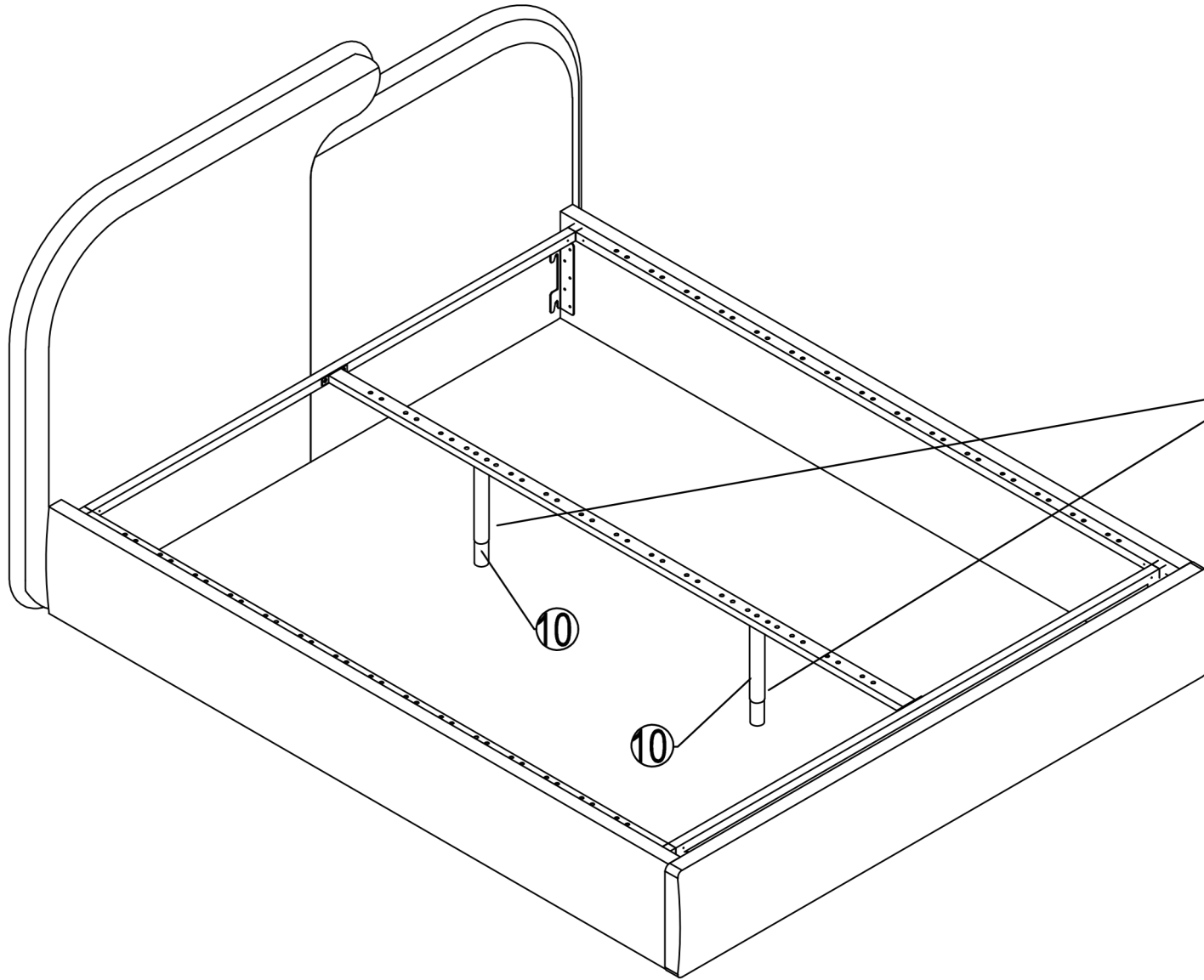
Tighten the screw



4



5



6

