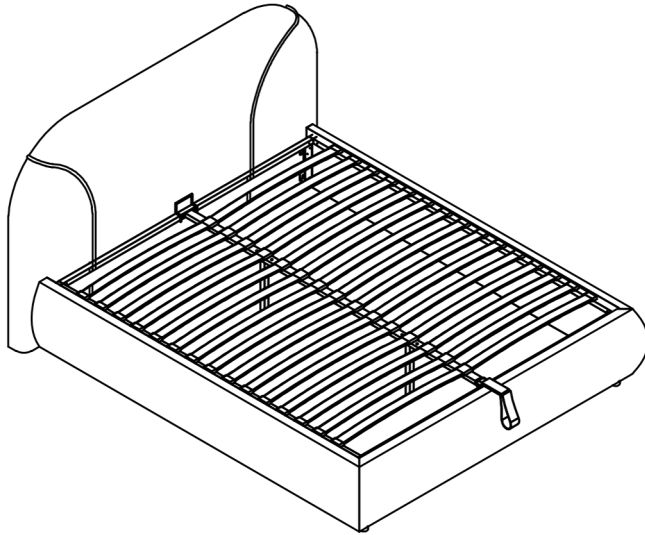
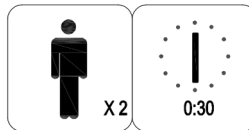


# sofaforma ASSEMBLY INSTRUCTIONS

MODEL#: OVRION

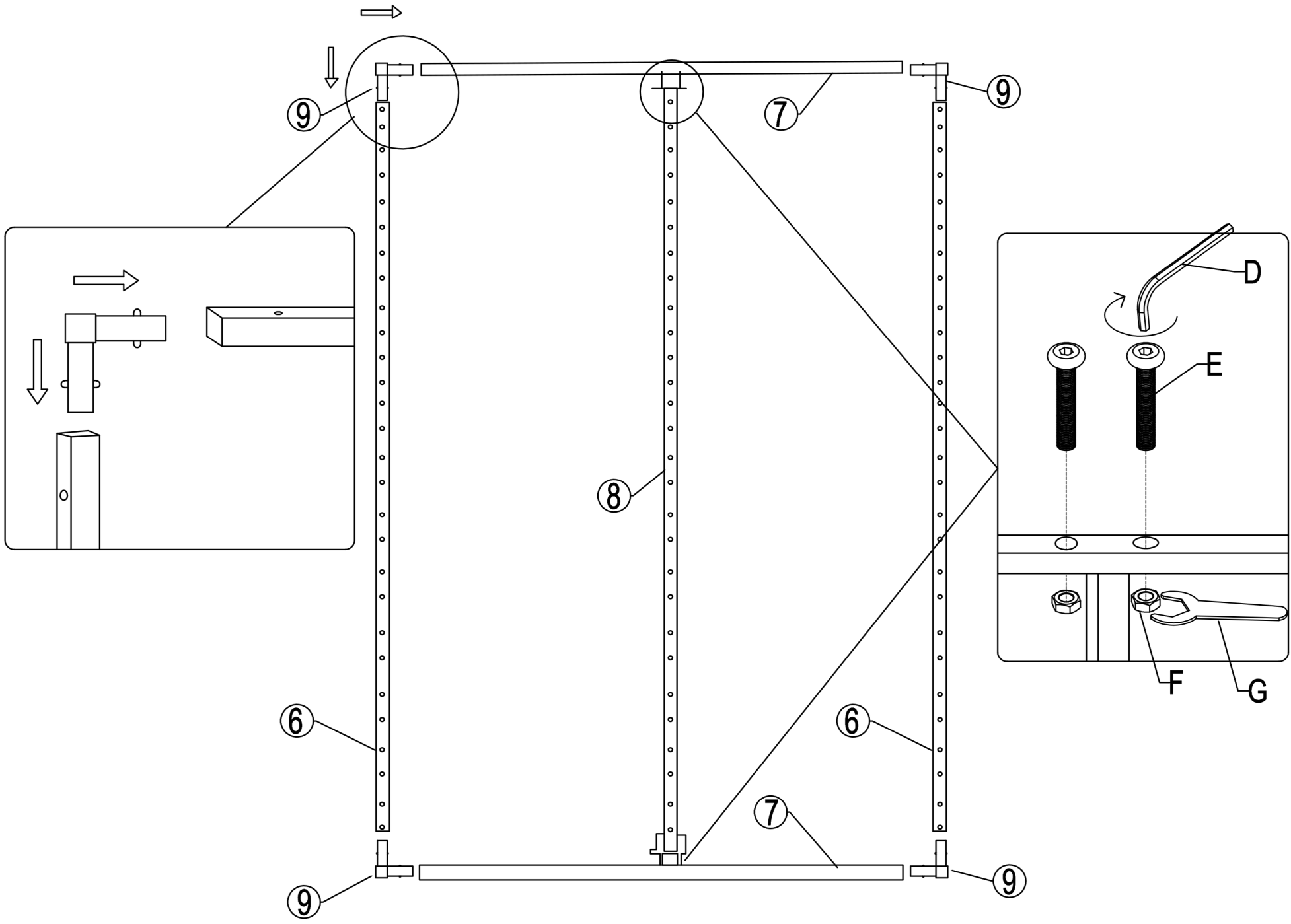


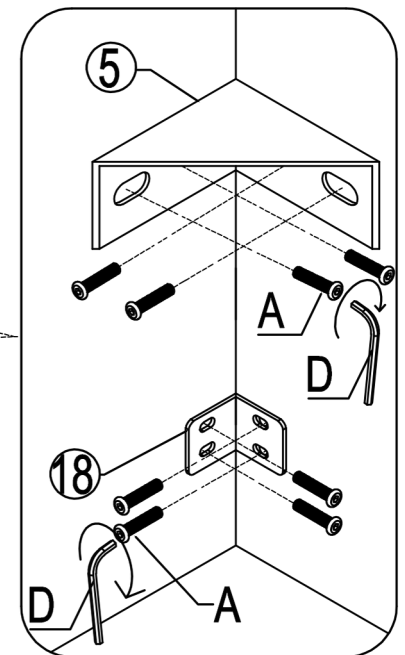
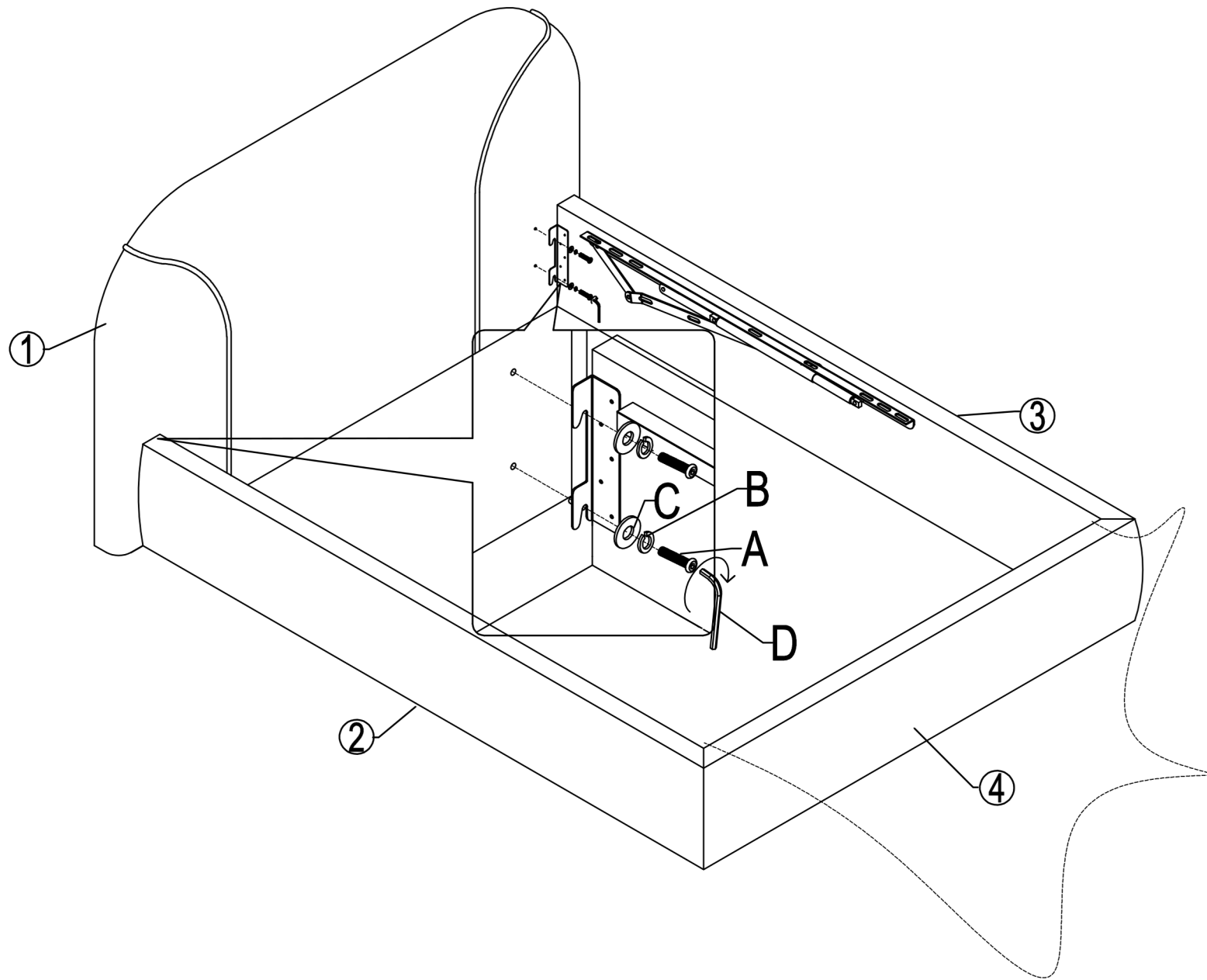
- |               |              |               |               |
|---------------|--------------|---------------|---------------|
| ①<br><br>X 1  | ②<br><br>X 1 | ③<br><br>X 1  | ④<br><br>X 1  |
| ⑤<br><br>X 2  | ⑥<br><br>X 2 | ⑦<br><br>X 2  | ⑧<br><br>X 1  |
| ⑨<br><br>X 4  | ⑩<br><br>X 2 | ⑪<br><br>X 30 | ⑫<br><br>X 15 |
| ⑬<br><br>X 30 | ⑭<br><br>X 1 | ⑮<br><br>X 1  | ⑯<br><br>X 4  |
| ⑰<br><br>X 1  | ⑱<br><br>X 2 |               |               |



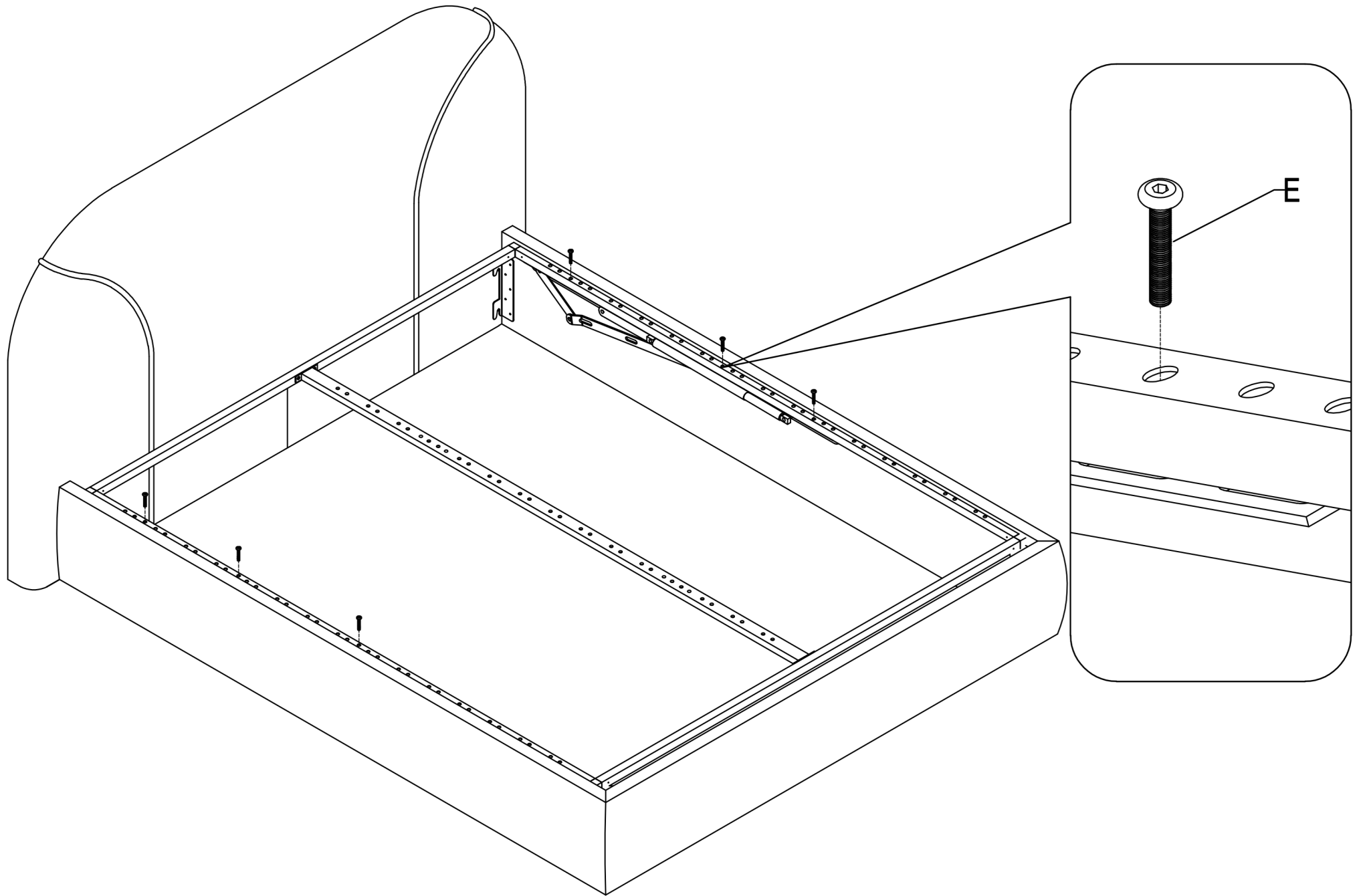
- |                     |              |              |                     |
|---------------------|--------------|--------------|---------------------|
| A<br><br>M8*30 X 20 | B<br><br>X 4 | C<br><br>X 4 | D<br><br>M8*40 X 14 |
| F<br><br>X 14       | G<br><br>X 1 | H<br><br>X 1 | I<br><br>M4*40 X 4  |

1

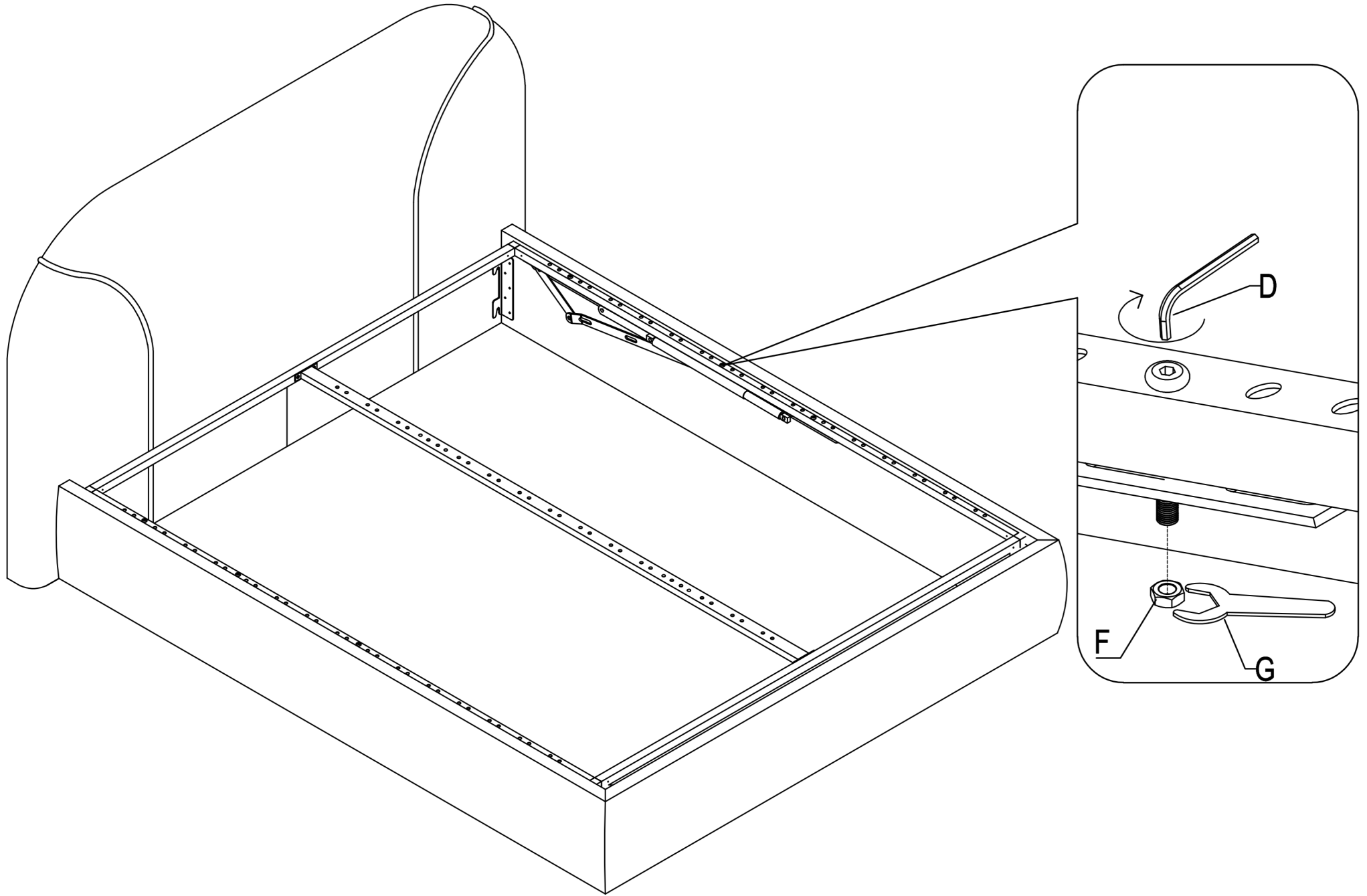




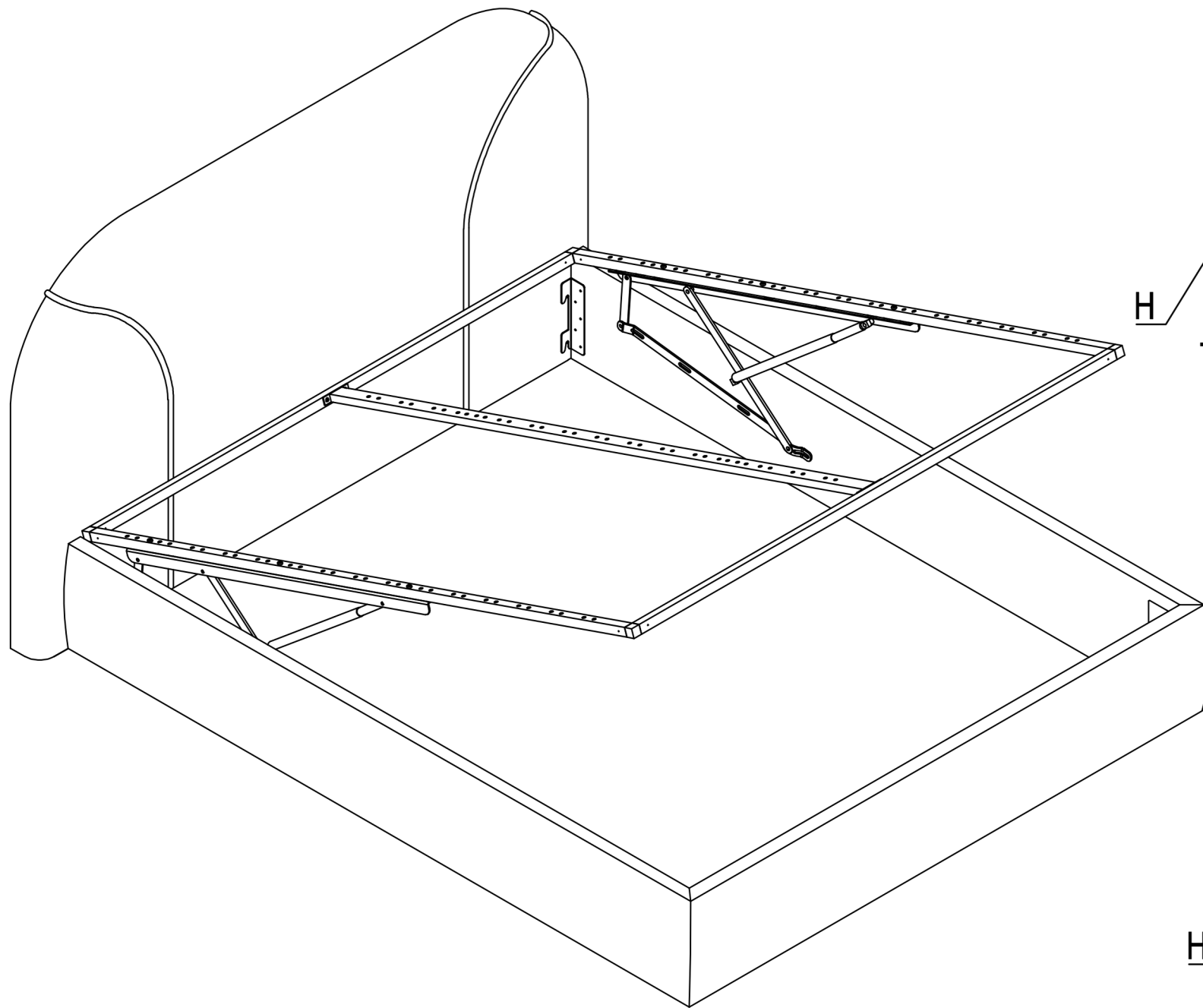
3



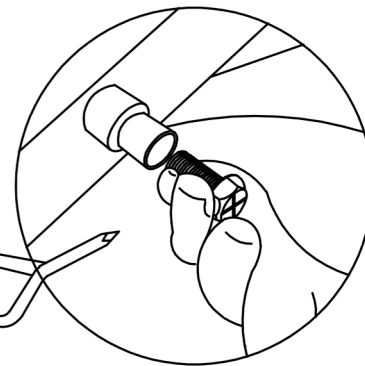
4



5

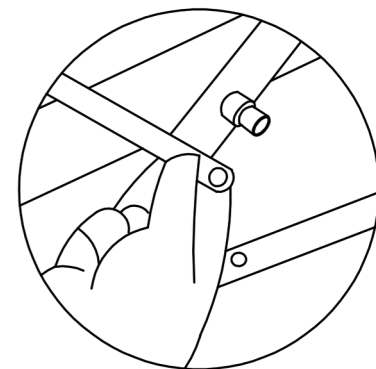


Torsion Bolt

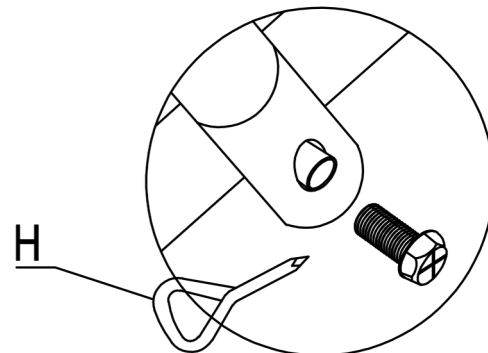


H

To place the pneumatic rods

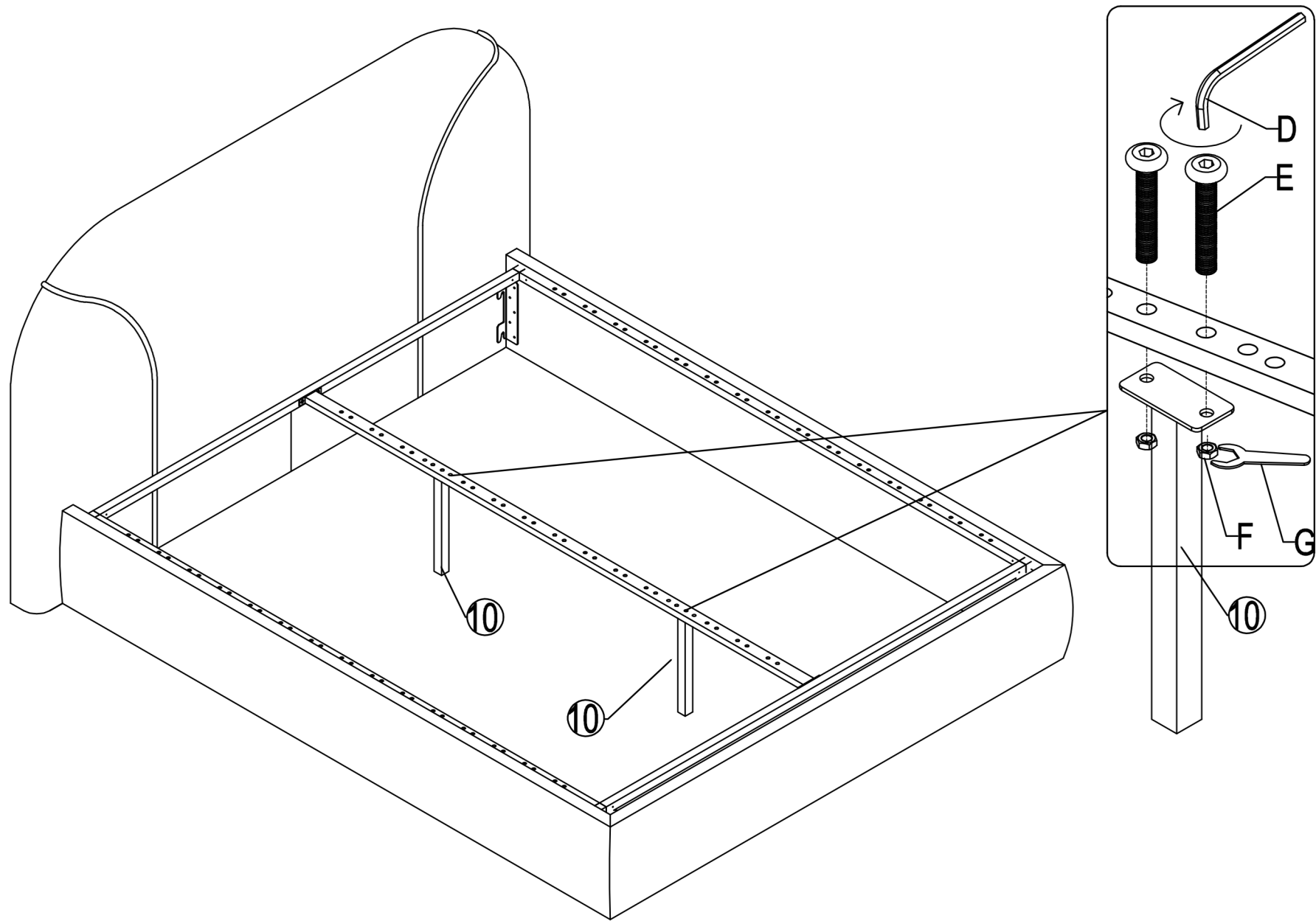


Tighten the screw



H

6



7

