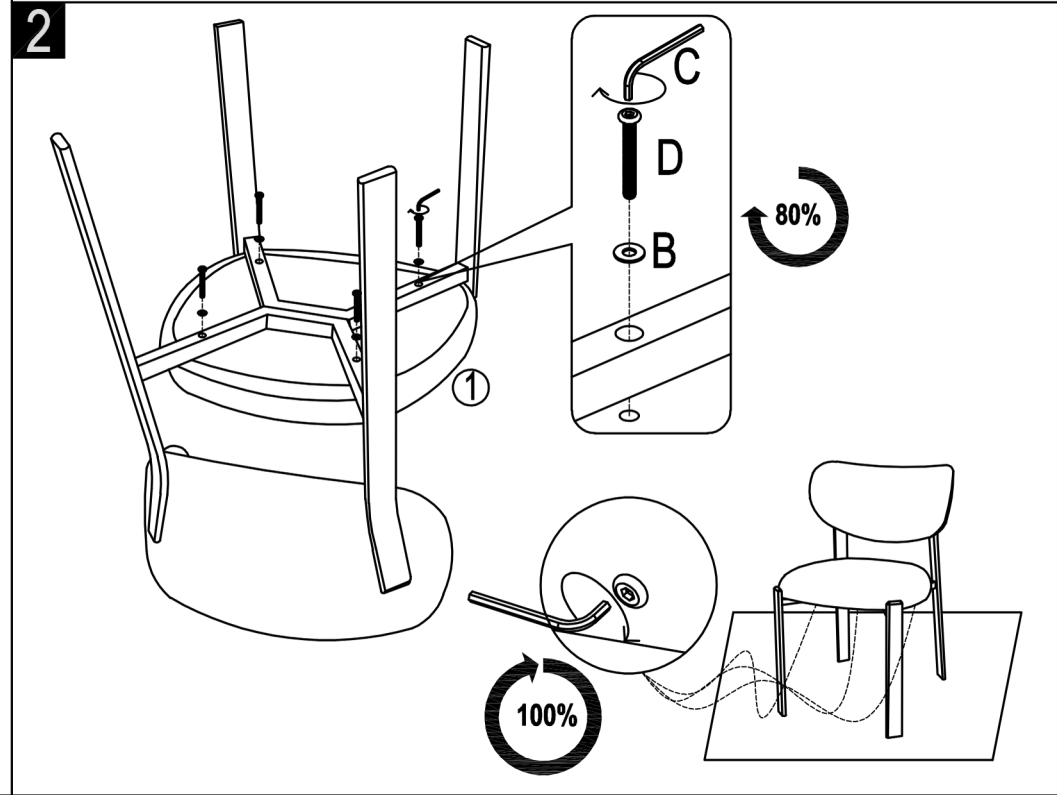
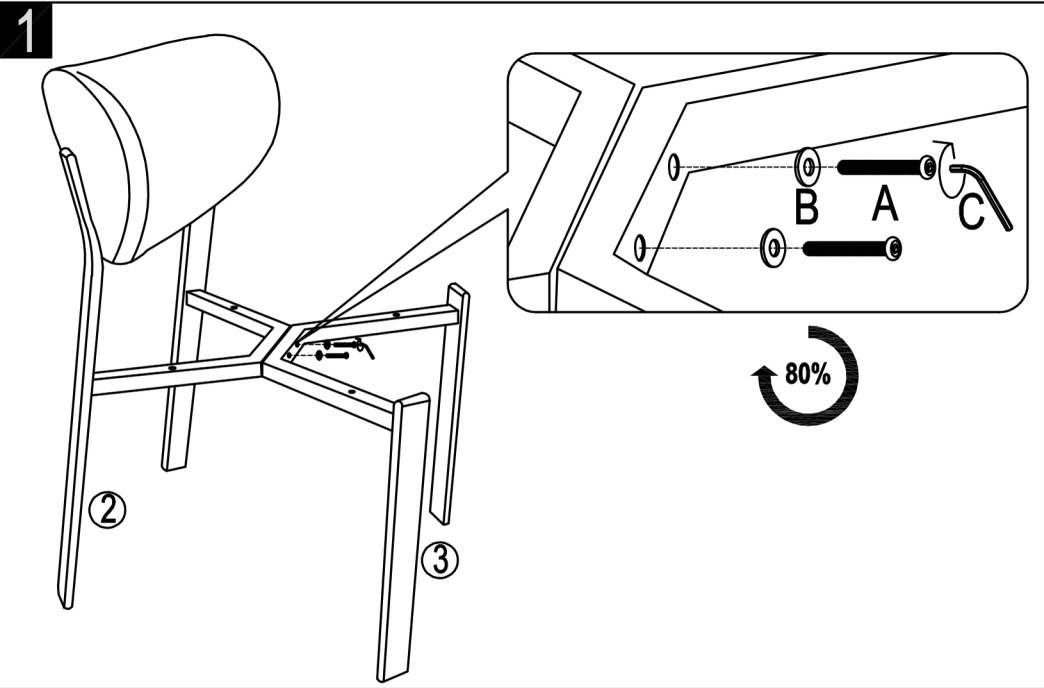
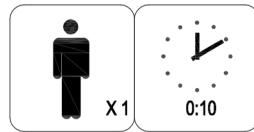
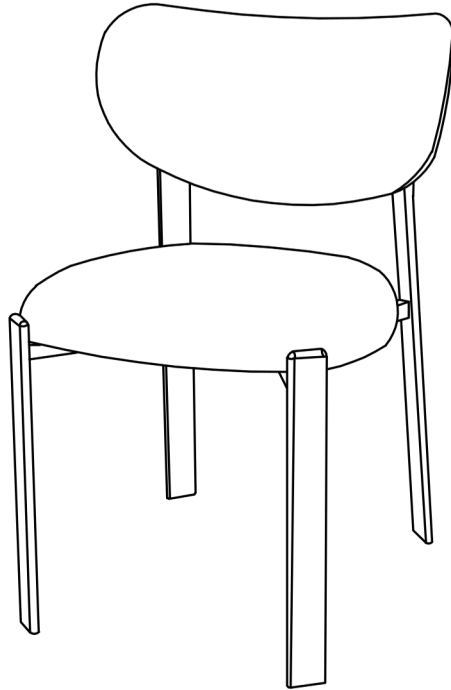
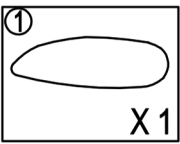
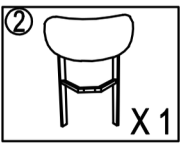
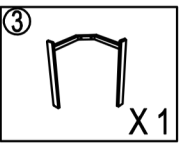
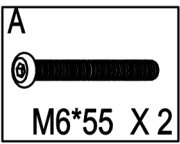
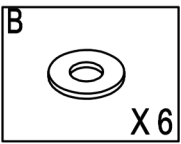
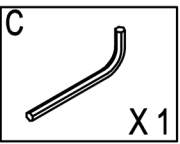
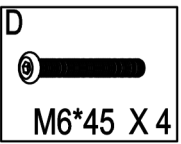


# sofaforma

## ASSEMBLY INSTRUCTIONS

### DINING CHAIR: LUNARA



|   |   |   |   |
|---|---|---|---|
| <br>①<br>X 1       | <br>②<br>X 1 | <br>③<br>X 1 |   |
| <br>A<br>M6*55 X 2 | <br>B<br>X 6 | <br>C<br>X 1 | <br>D<br>M6*45 X 4 |