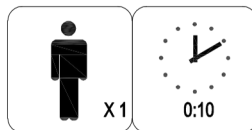
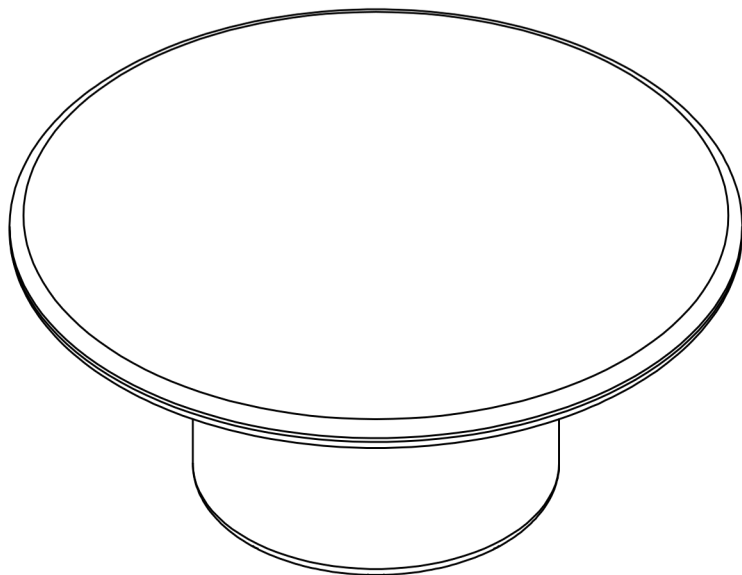


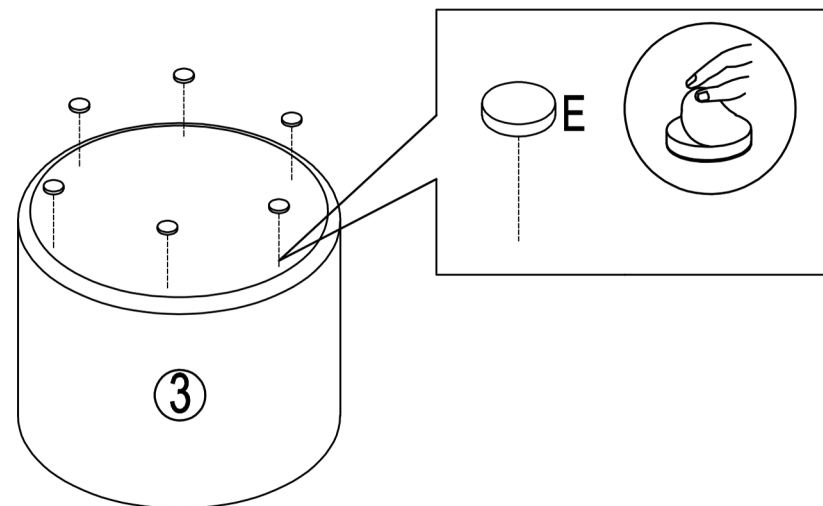
ASSEMBLY INSTRUCTIONS

DINING TABLE MODEL#: JARNITH

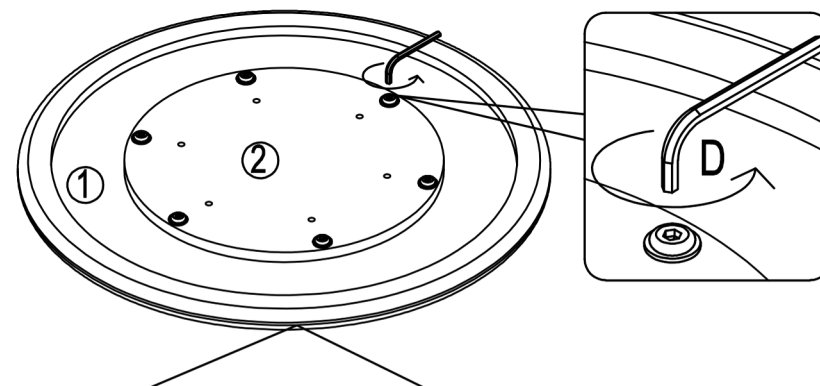


<p>① ② X 1</p>	<p>③ X 1</p>			
<p>A M8*35 X 12</p>	<p>B M8 X 12</p>	<p>C M8 X 12</p>	<p>D X 1</p>	<p>E X 6</p>

1

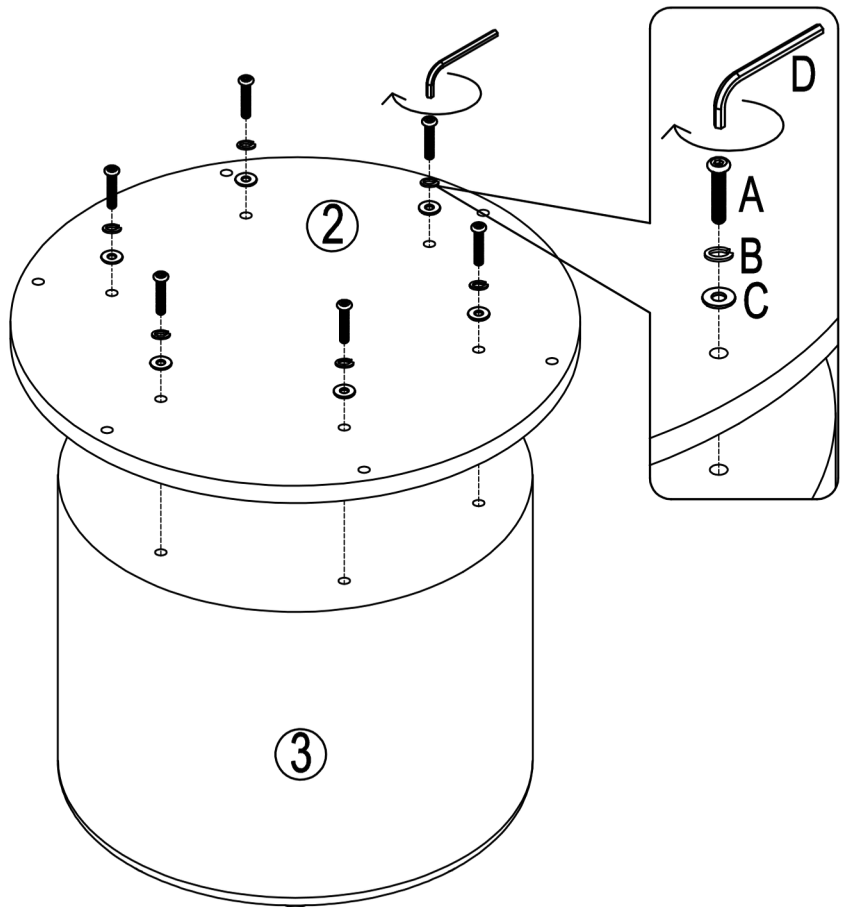


2



<p>①</p>	<p>②</p>	
<p>A M8*35 X 4</p>	<p>B M8 X 4</p>	<p>C M8 X 4</p>

3



4

