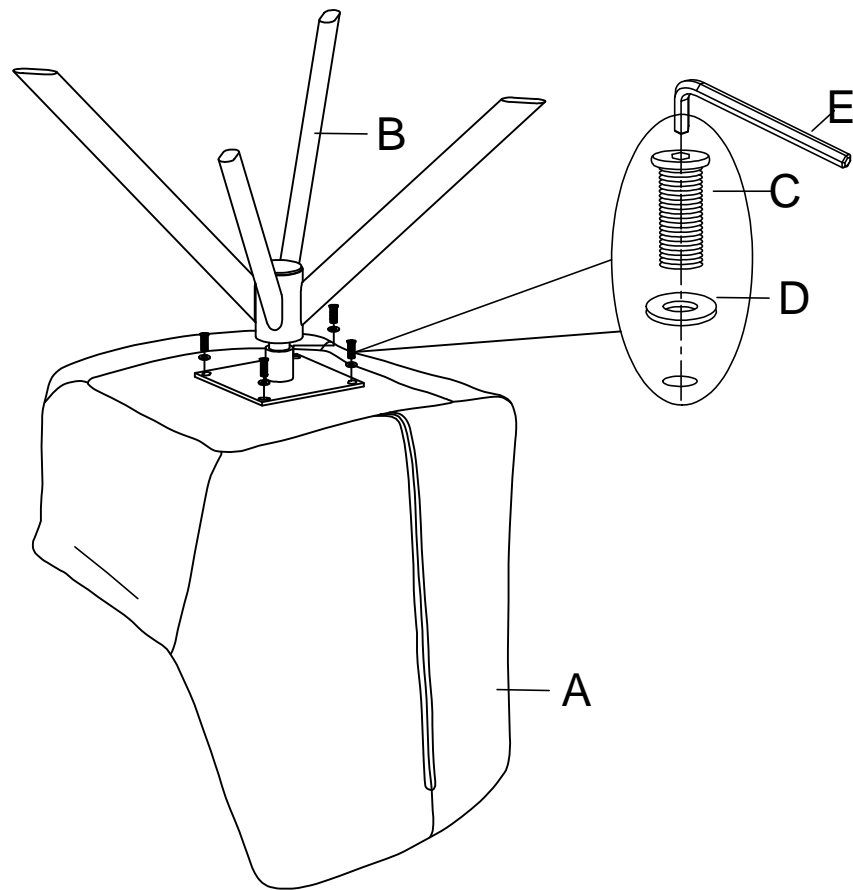


sofaforma

EMILY



A			1
B			1
C		M6*16	4
D		$\phi 6*16*1.2$	4
E		#4	1

