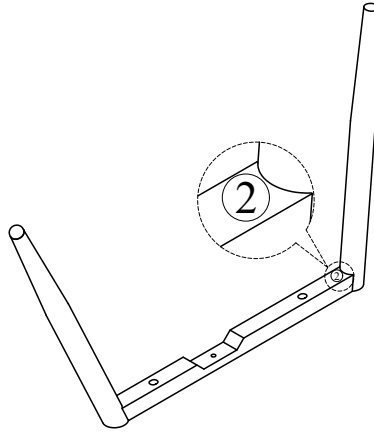


PARTS LIST

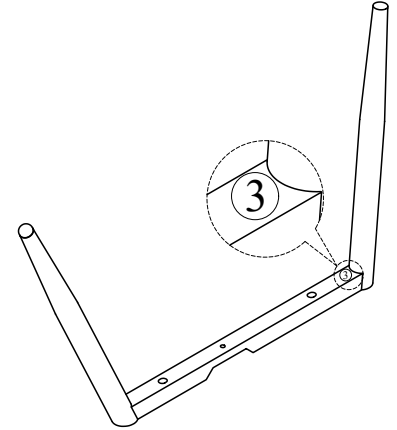
1. -1 Pc



2. -1 Pc

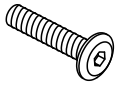


3. -1 Pc



FITTINGS

A -4 Pcs



B -1 Pcs



C -5 Pcs



D -1 Pc



1

