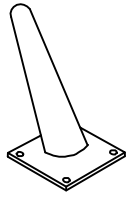
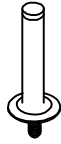


# ASSEMBLY INSTRUCTION (OLSO)



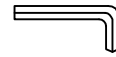
A\*4



B\*1

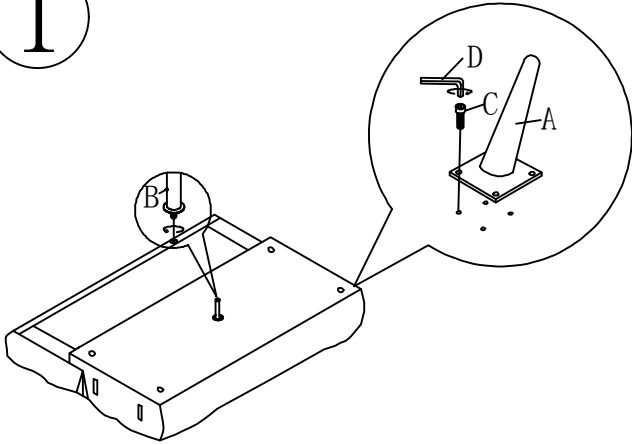


C\*16

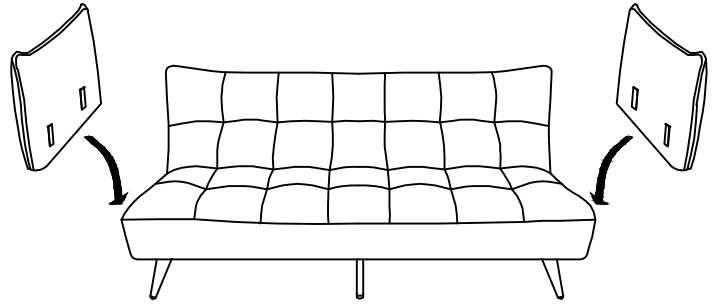


D\*1

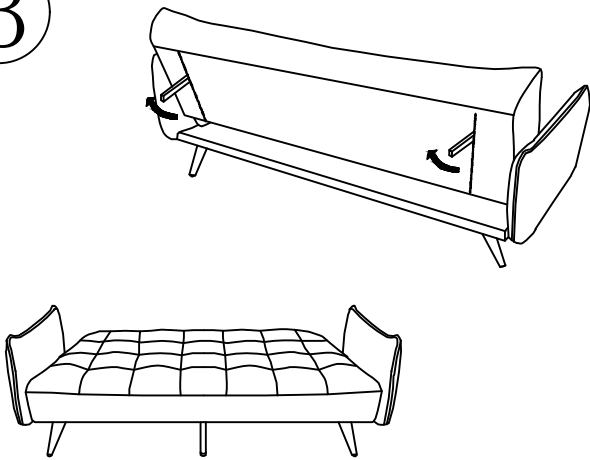
1



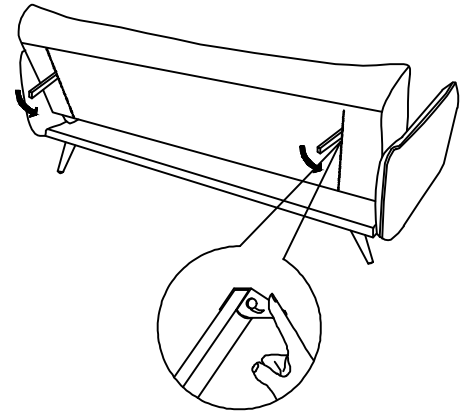
2



3



4



5

