


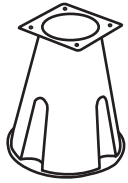


# DINING TABLE OLYMPUS

DESCRIPTION		MEAS.	QTY	SKETCH
F	ALLEN KEY	M6	1	
E	ALLEN SCREW	Ø6*30	4	
D	WASHER	Ø14	1	



A

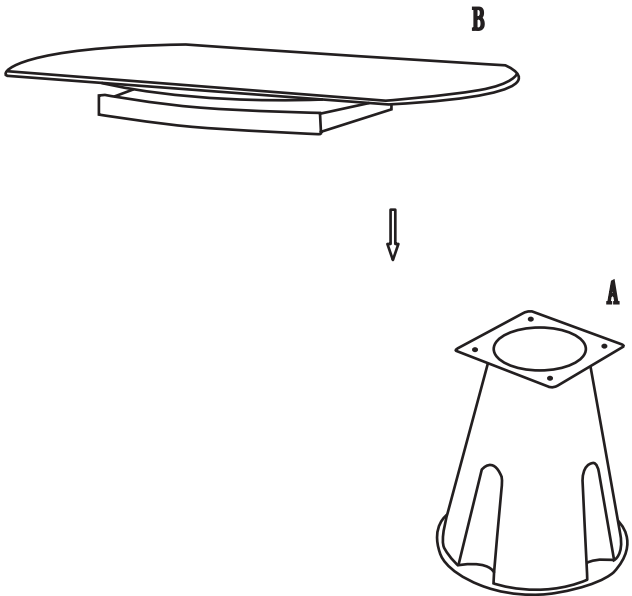


B

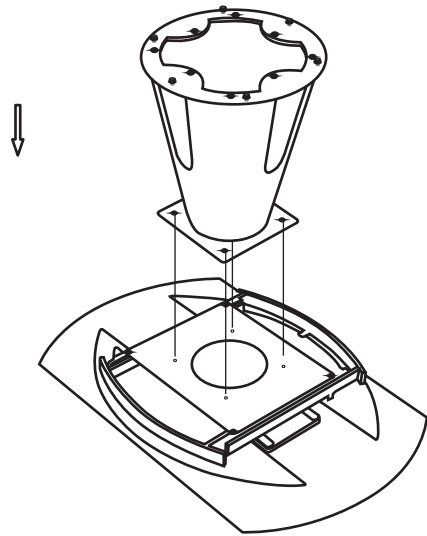


C

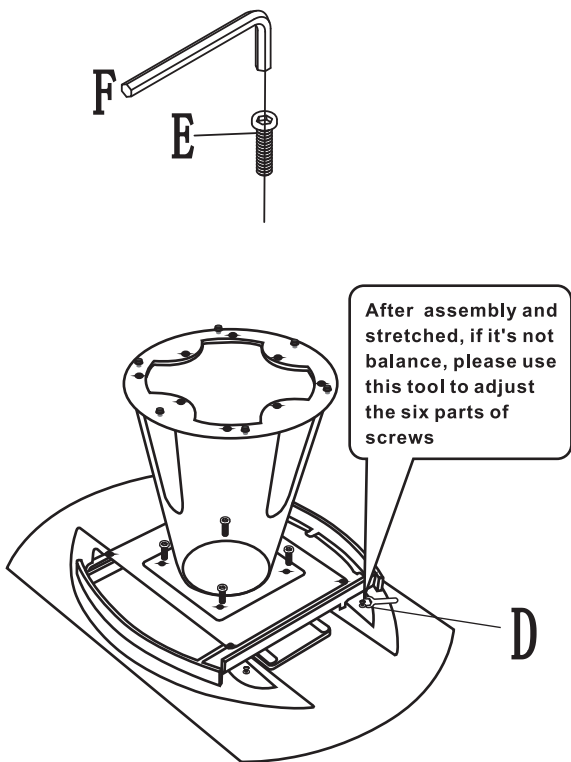
1



2



3



4

