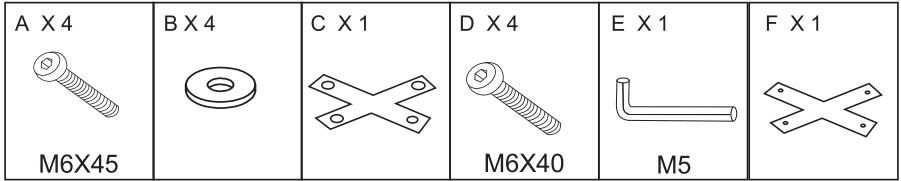
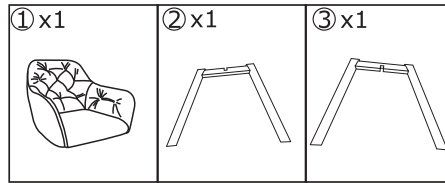


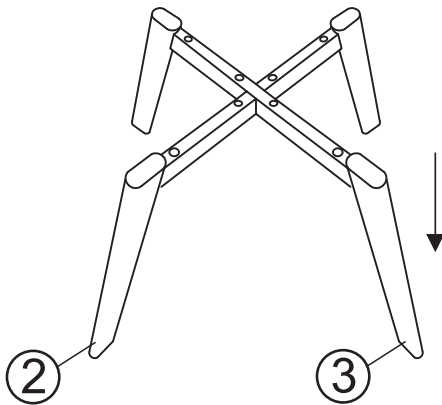
sofaforma

ASSEMBLY INSTRUCTIONS

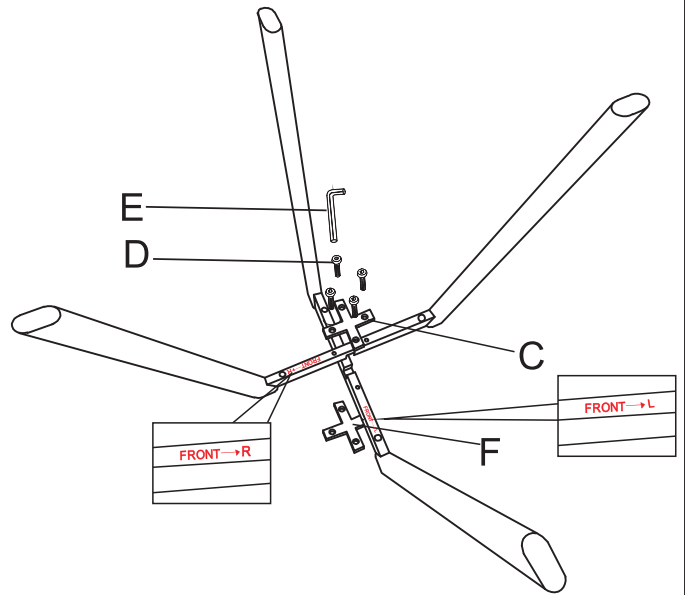
MODEL NO.:BONA



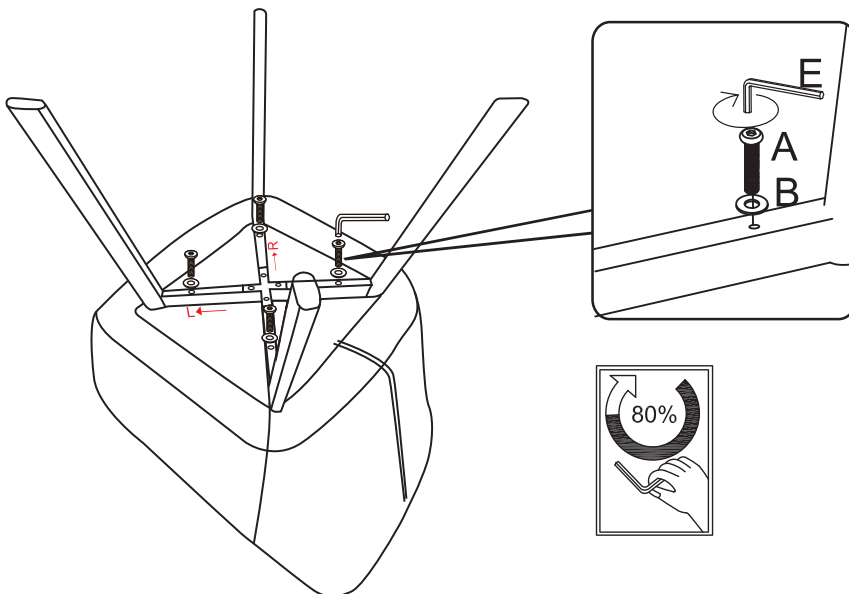
1



2



3



4

Put the chair onto flat place , fully tight all the screws after well adjusted flatness of the chair.

MAX BEARING WEIGHT : 120KGS

