






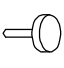
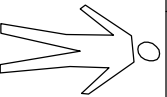
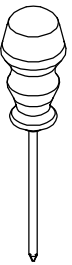


PARTS LIST

P.NO	TRACK NAME	QTY	PICTURE
1	RIGHT FOOT	1	
2	LEFT FOOT	1	
3	M6*45 YSB BOLT	1	
4	M6*35 YSB BOLT	2	
5	BACK	1	
6	M6*75 YSB BOLT	6	
7	SESSION	1	
8	NAILED POLYGRIDE	4	

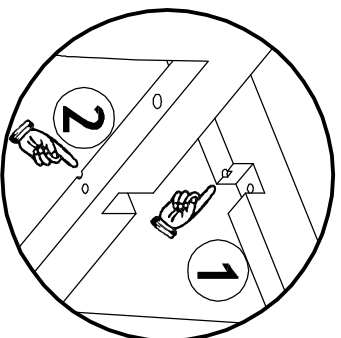
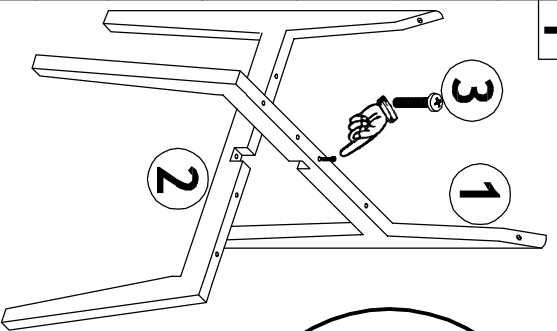
ATTENTION PLEASE!!!

PHILLIPS SCREWDRIVER
1 PERSON



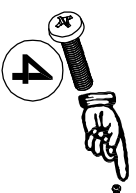
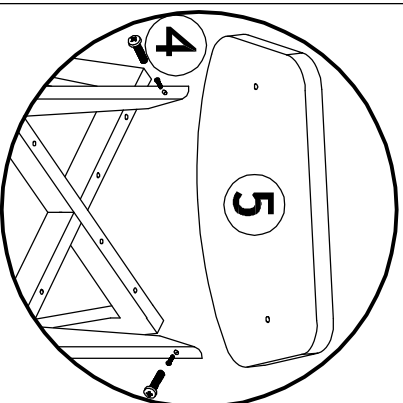
- IN ORDER TO PREVENT YOUR PRODUCT BEING OUT OF THE SCOPE OF WARRANTY, YOU MUST INSTALL IT IN ACCORDANCE WITH THE INSTALLATION DIAGRAM.
- SPREAD ALL THE MATERIALS IN THE PACKAGE ON A FLAT FLOOR TO AVOID ANY DIFFICULTY IN ASSEMBLY.
- BEFORE STARTING INSTALLATION, CHECK THE MATERIALS AND THEIR QUANTITIES SPECIFIED IN THE INSTALLATION DIAGRAM.
- PERFORM THE INSTALLATION ON THE PRODUCT PACKAGING CARTON OR ON A FLAT SURFACE THAT WILL NOT SCRATCH THE PRODUCT.
- ONE STAR LATHE IS ENOUGH FOR INSTALLATION. DO NOT USE ELECTRICAL TOOLS.
- FOR YOUR QUESTIONS AND OPINIONS ABOUT INSTALLATION, PLEASE CONTACT OUR AUTHORIZED DEALER.

1



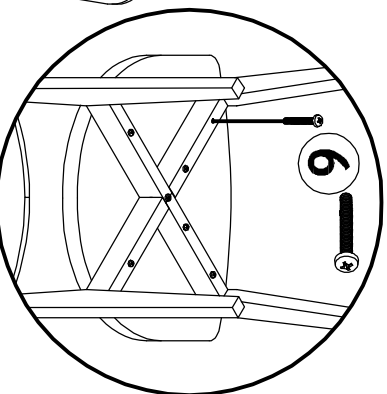
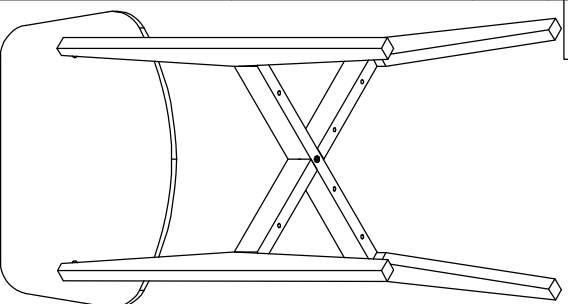
MATCH THE HOLES NUMBER 1 AND 2 TO EACH OTHER. OTHERWISE, YOU CANNOT CONTINUE THE INSTALLATION.

2



CONNECT THE BACK WITH NUMBER 5 M6*35 YSB.

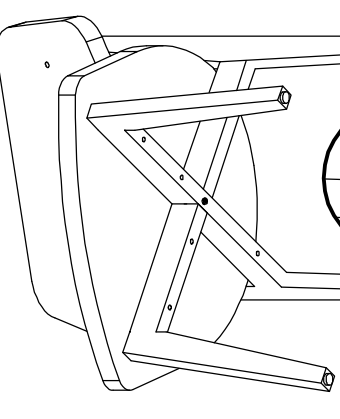
3



MATCH THE HOLES IN THE WOODEN LEGS WITH THE HOLES IN THE SEAT AND PLACE THE M6*80 BOLTS ONE BY ONE INTO THE SEAT, THEN CARRY OUT THE TIGHTENING PROCESS.

4

AFTER ASSEMBLING THE WOODEN CHAIR, CAREFULLY NAIL THE NAILED SHOES TO THE CENTER OF THE FOOT WITH THE HELP OF A HAMMER.



5

