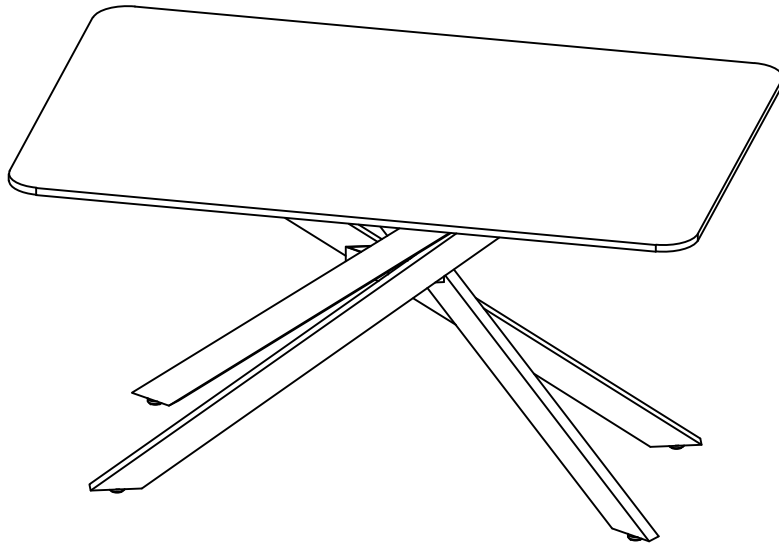
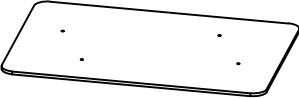
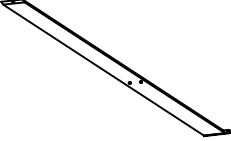



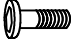




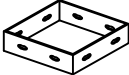

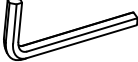
sofaforma
ASSEMBLY INSTRUCTIONS
MODEL NO. : BETA



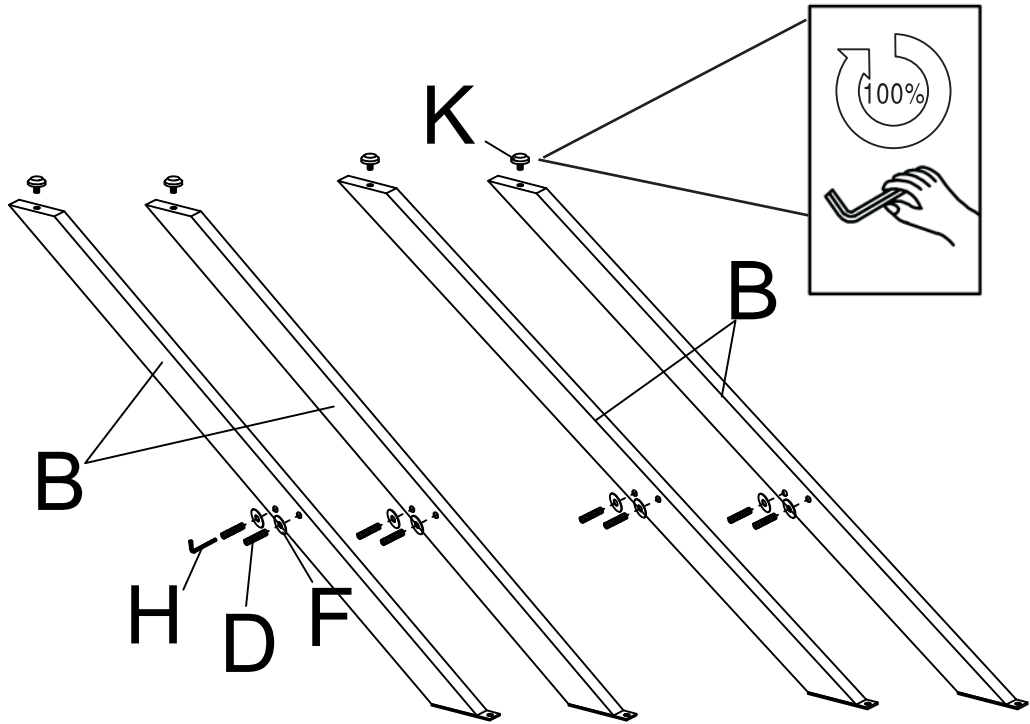
PART LIST

A	B	C	
			
1	4		

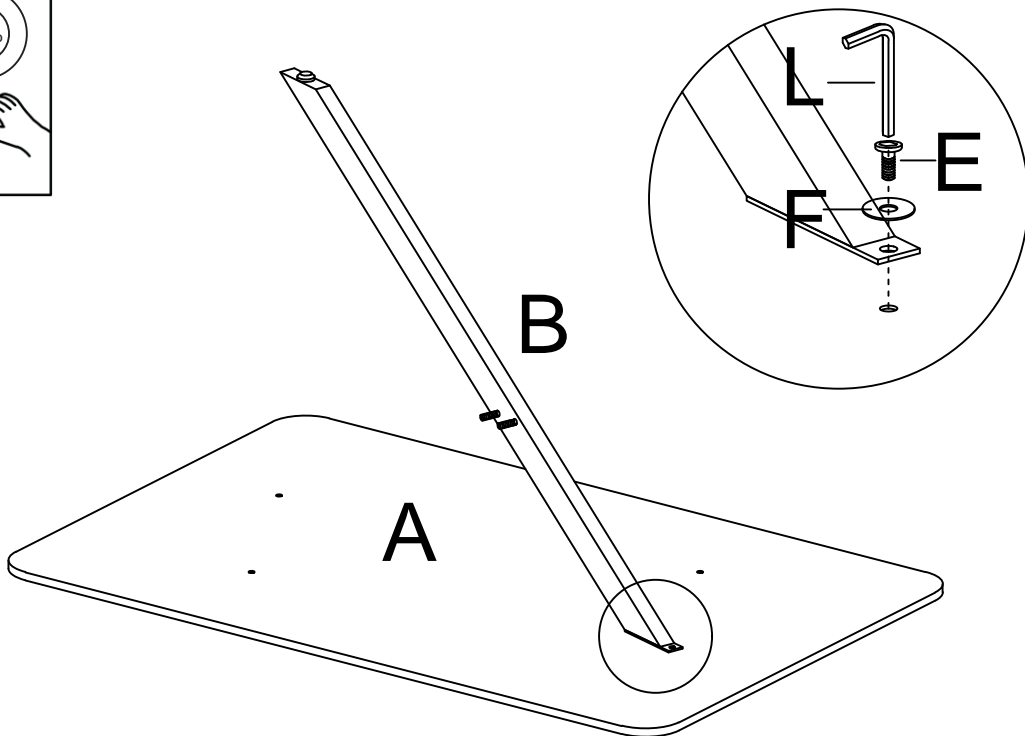
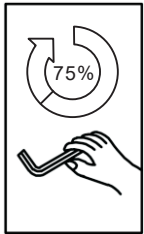
HARDWARE LIST

D	E	F	G	H
				
8	4	20	8	1
I	J	K	L	
				
1	1	4	1	

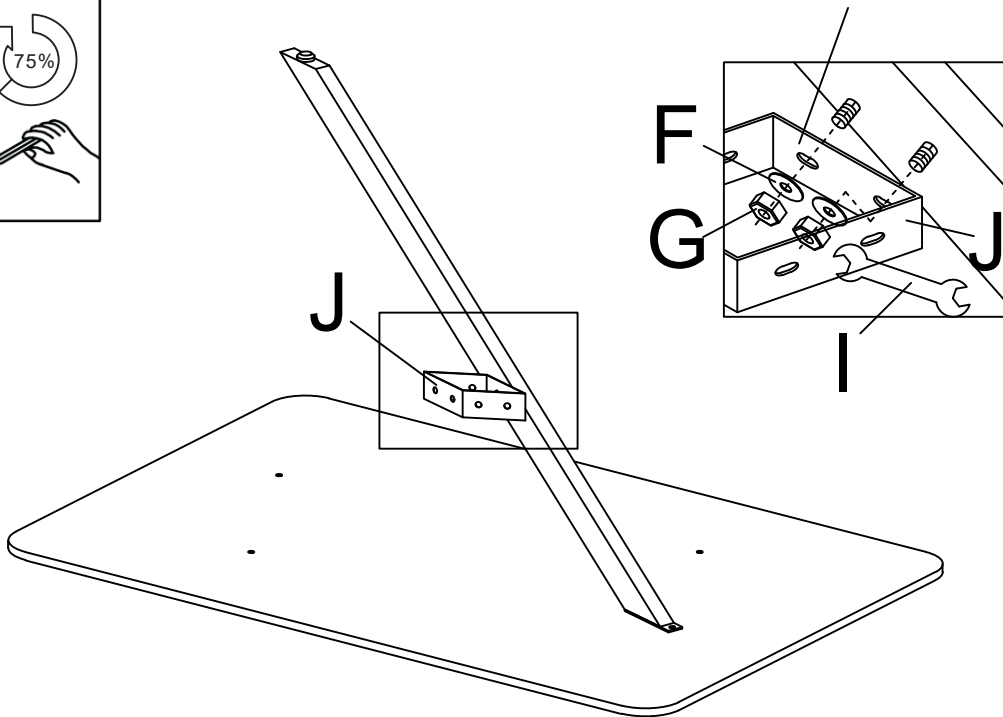
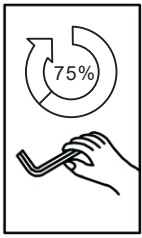
STEP 1



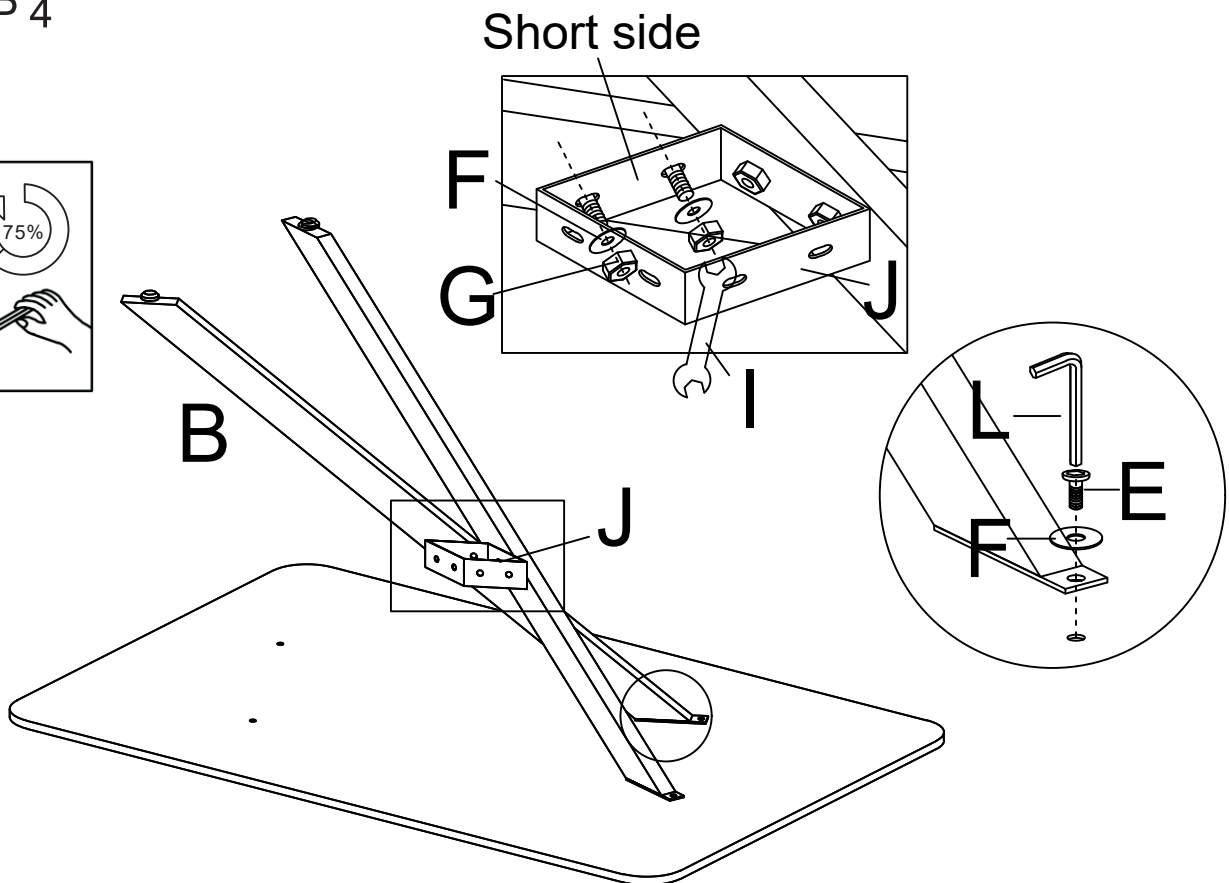
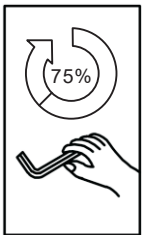
STEP 2



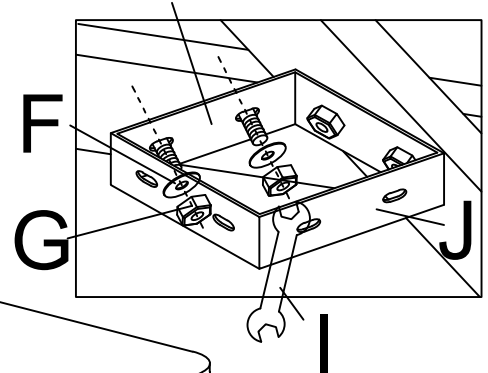
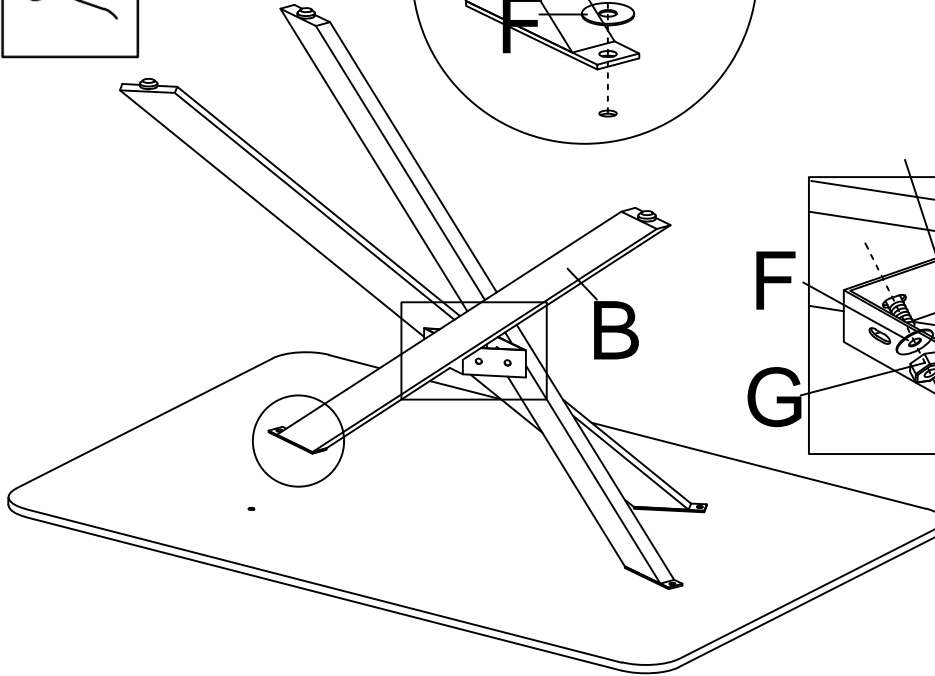
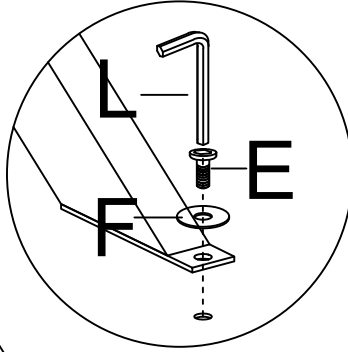
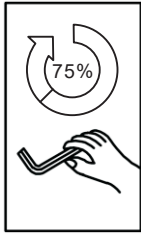
STEP 3



STEP 4

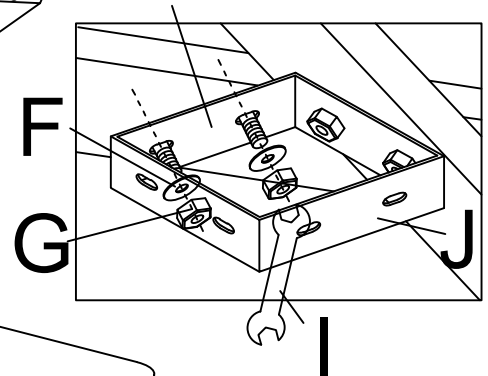
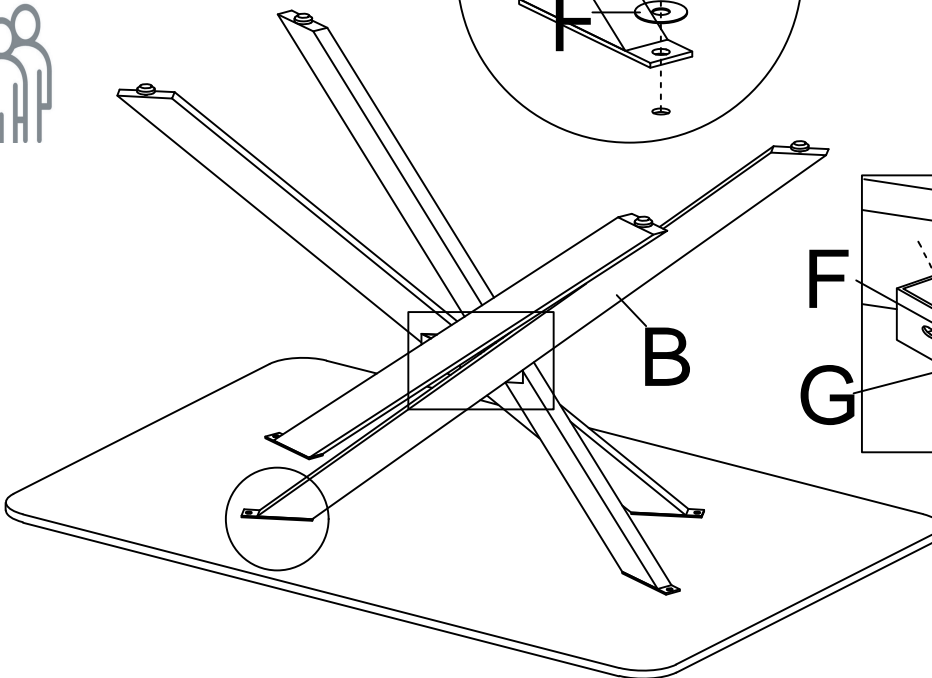
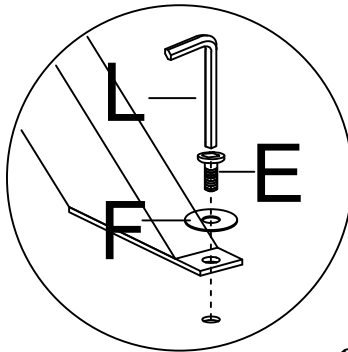
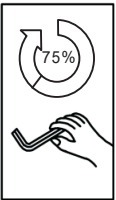


STEP 5



STEP 6

turn it over by the table top (not legs)



STEP 7

