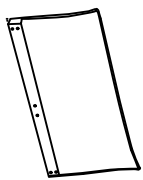
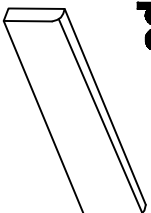


PART LIST

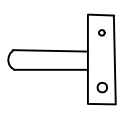
1.Headboard
1pc



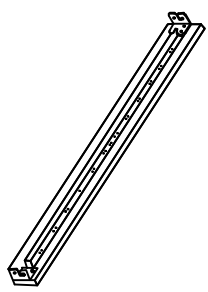
2.Footboard
1pc



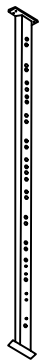
3.Support Leg *2pcs



4.Side Rail*2pcs



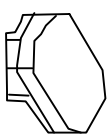
5.Center Support Bar
1pcs



6.Slats*26pc



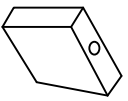
7.Double Plastic Cap
13pcs



8.Single Plastic Cap
26pcs



9.Leg*4pcs



HARDWARE LIST

(A) Bolt M8*30mm*12pcs



(B) Bolt M8*35mm*4pcs



(C) Bolt M8*50MM*4pcs



(D) Nut M8*4pcs



(E)Spring Washer*8pcs



(F)Flat Washer *12 pcs



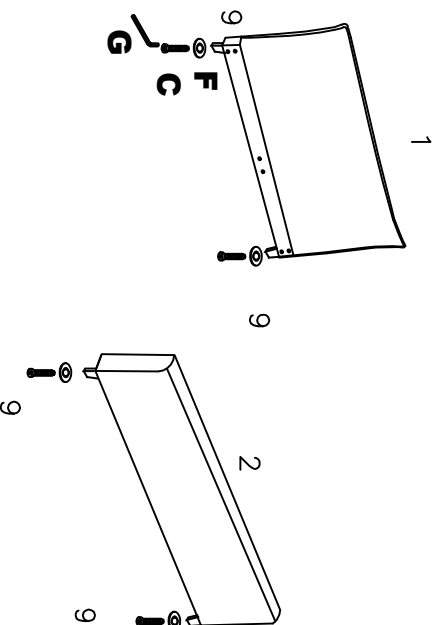
(G)Allen Key M5*1pcs



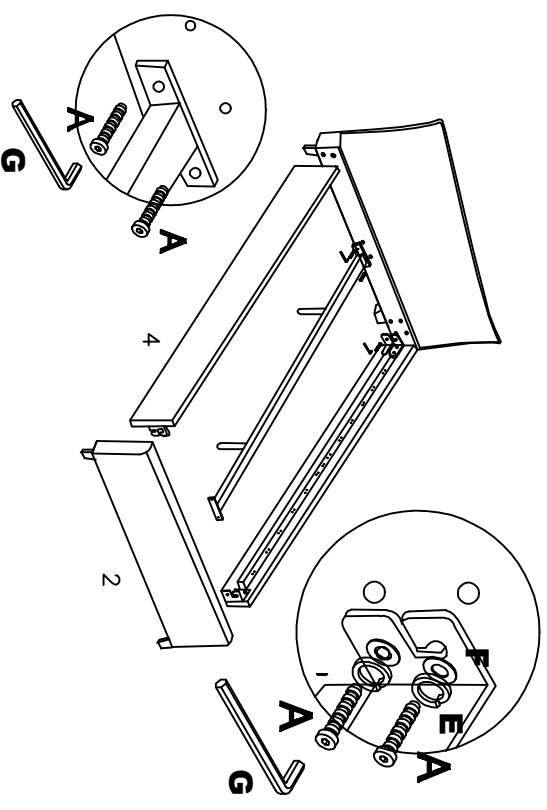
(H),Spanner *1pcs



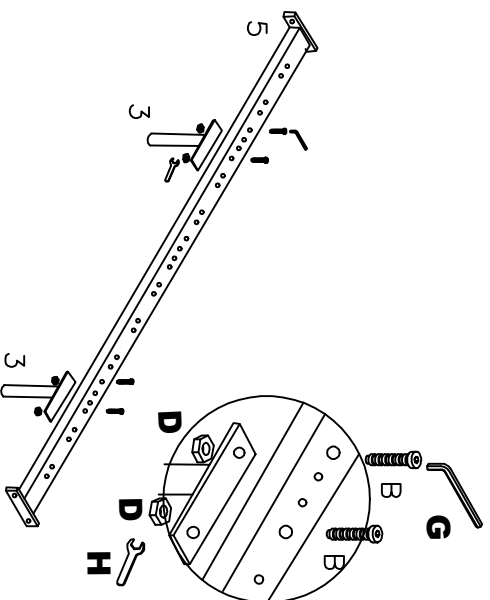
STEP 1 FIXING LEGS TO HEADBOARD AND FOOTBOARD



STEP 3 FIXING SIDE RAILS AND CENTRE SUPPORT BAR TO HEADBOARD AND FOOTBOARD



STEP 2 FIXING SUPPORT LEGS TO CENTRE SUPPORT BAR



STEP 4 FIXING PLASTIC CAPS AND SLATS

